

Illustrated Parts List

Model Series 23D, 23D-B; 23D-FB, 23D-R6, 23D-R6D

TYPE NUMBERS
0010 through 0041
0110 through 0227
709000 through 709023
709300 through 709316
709500 through 709540
709800 through 709819
709975 through 709980

TO FIND

THE CORRECT NUMBER OF THE PART YOU NEED:

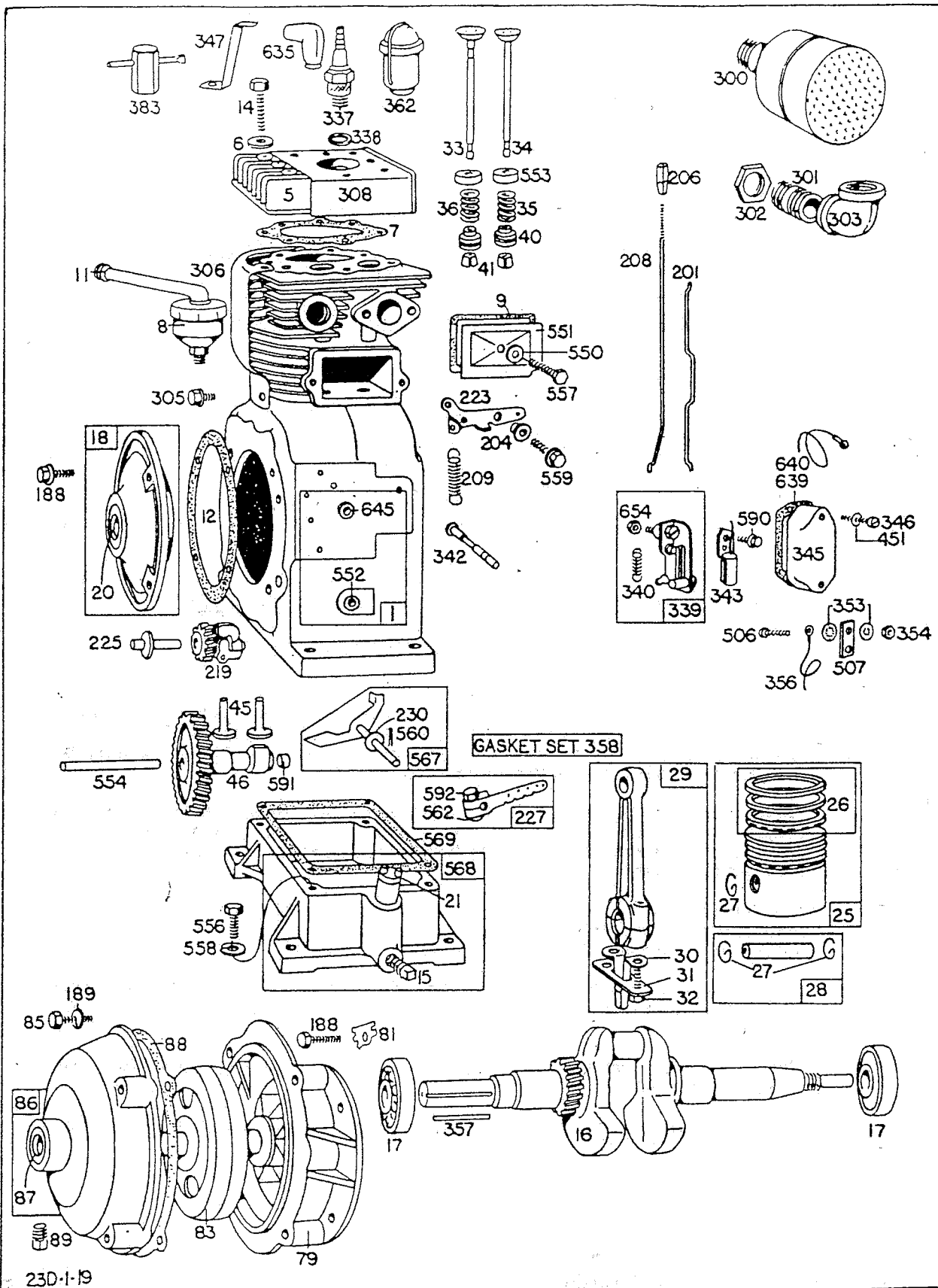
FOLLOW THE INSTRUCTIONS BELOW

- A. Refer to Engine Model, Type and Code Number that is stamped on the blower housing of engine. Engine type numbers such as 0123 01 are listed herein only as 0123. The two digits (01 or 02, etc.) to the right of the space are not needed for parts identification. Then use the Illustrated Parts List covering these Model Series.
- B. Refer to Illustrated Parts section and compare the old part with illustration. The number on the illustration is the Reference Number. Assemblies include all parts shown in frames. All parts shown in assembly frames on which individual reference numbers are given can be purchased separately.
- C. After the Reference Number has been identified, refer to the Numerical Parts List, where Reference and Master Part Numbers are listed. **THE MASTER PART IS USED ON ALL TYPE NUMBERS EXCEPT THOSE TYPE NUMBERS UNDER "NOTE".**
- D. If a "Note" appears below the Master Part Number, this means that this part differs from the Master Part for certain types. If the Type Number is listed under "Note", order the part referred to.
- E. If the Engine Type Number does not appear after any part number listed under "Note", use the Master Part Number.
- F. For Type Numbers higher than those covered by this book, please refer to the factory if you are unable to identify the part by comparison.

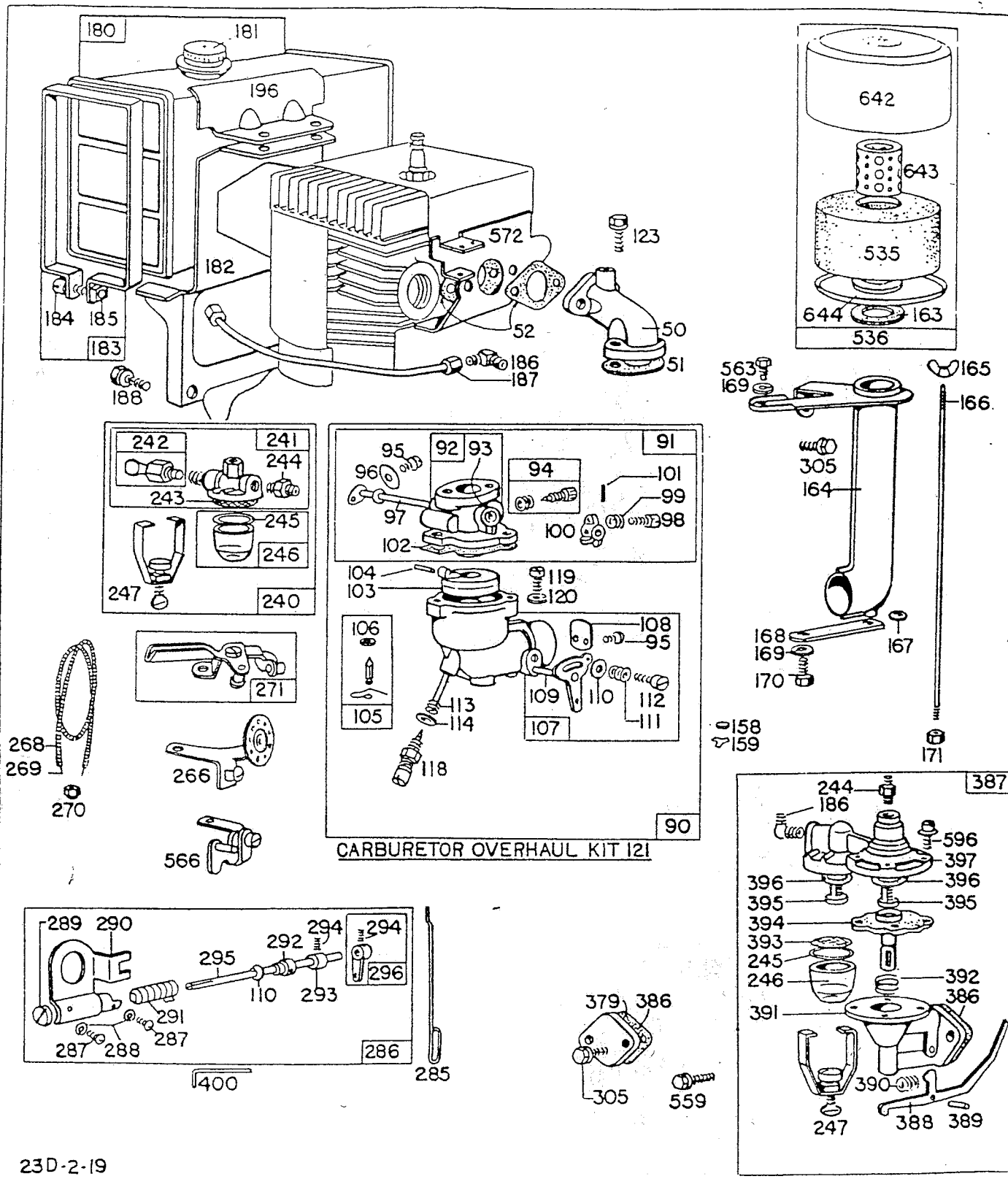
PRINTED IN U.S.A.



COPYRIGHT ©



Assemblies include all parts shown in frames.

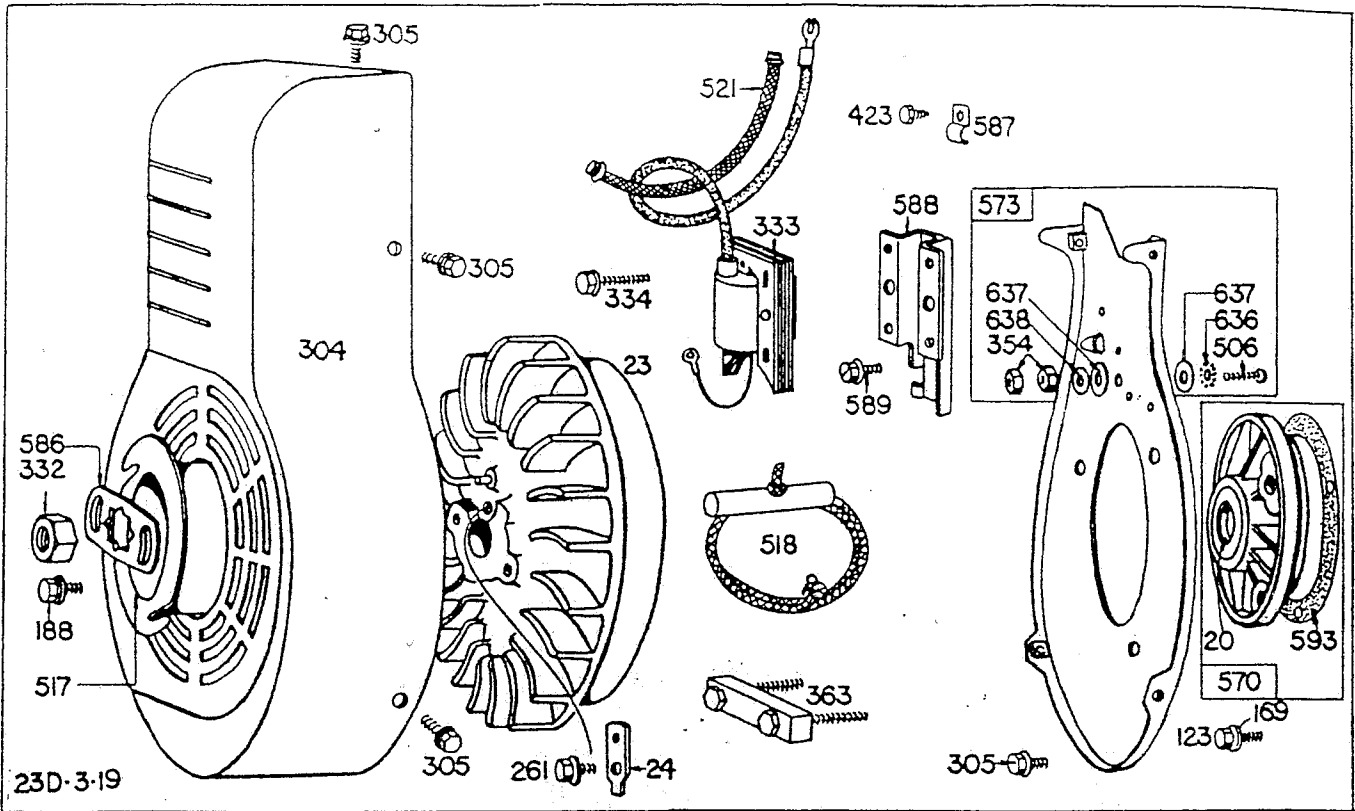


CARBURETOR OVERHAUL KIT 121

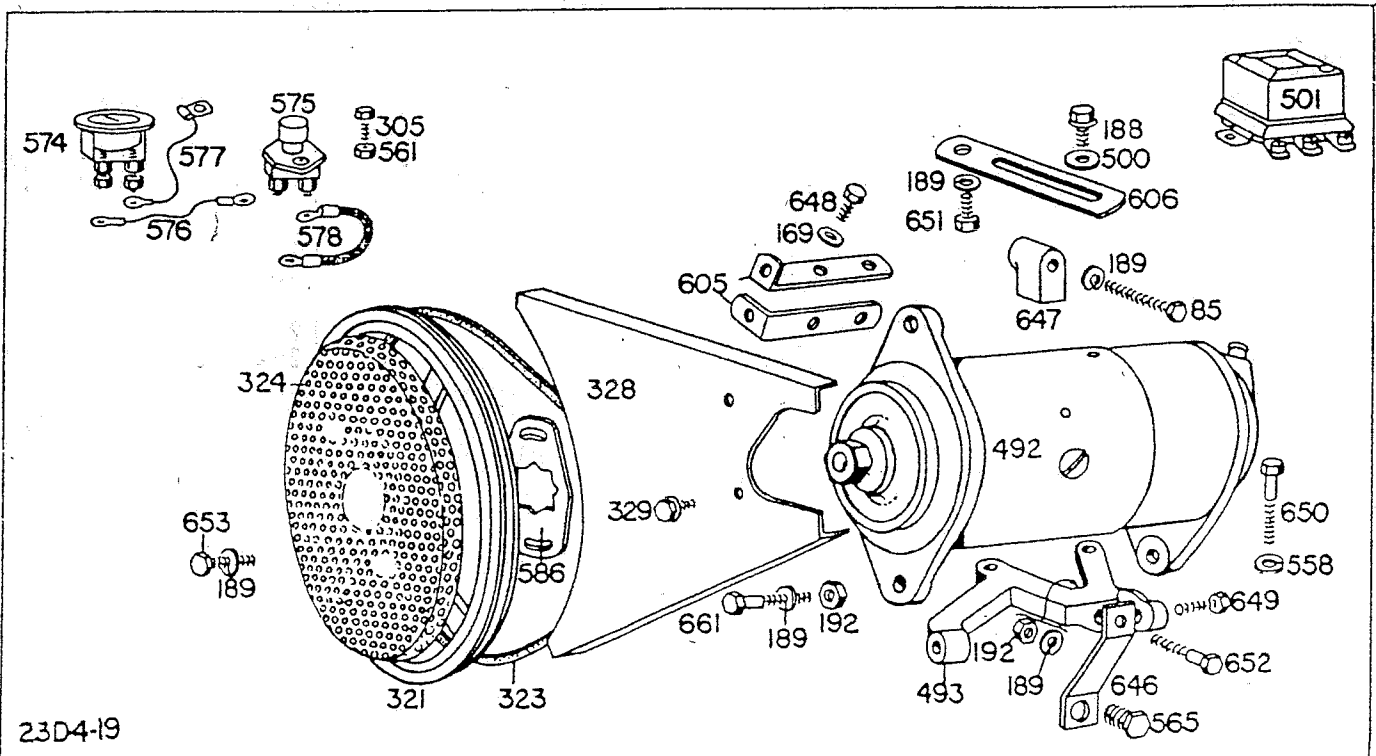
23D-2-19

Assemblies include all parts shown in frames.

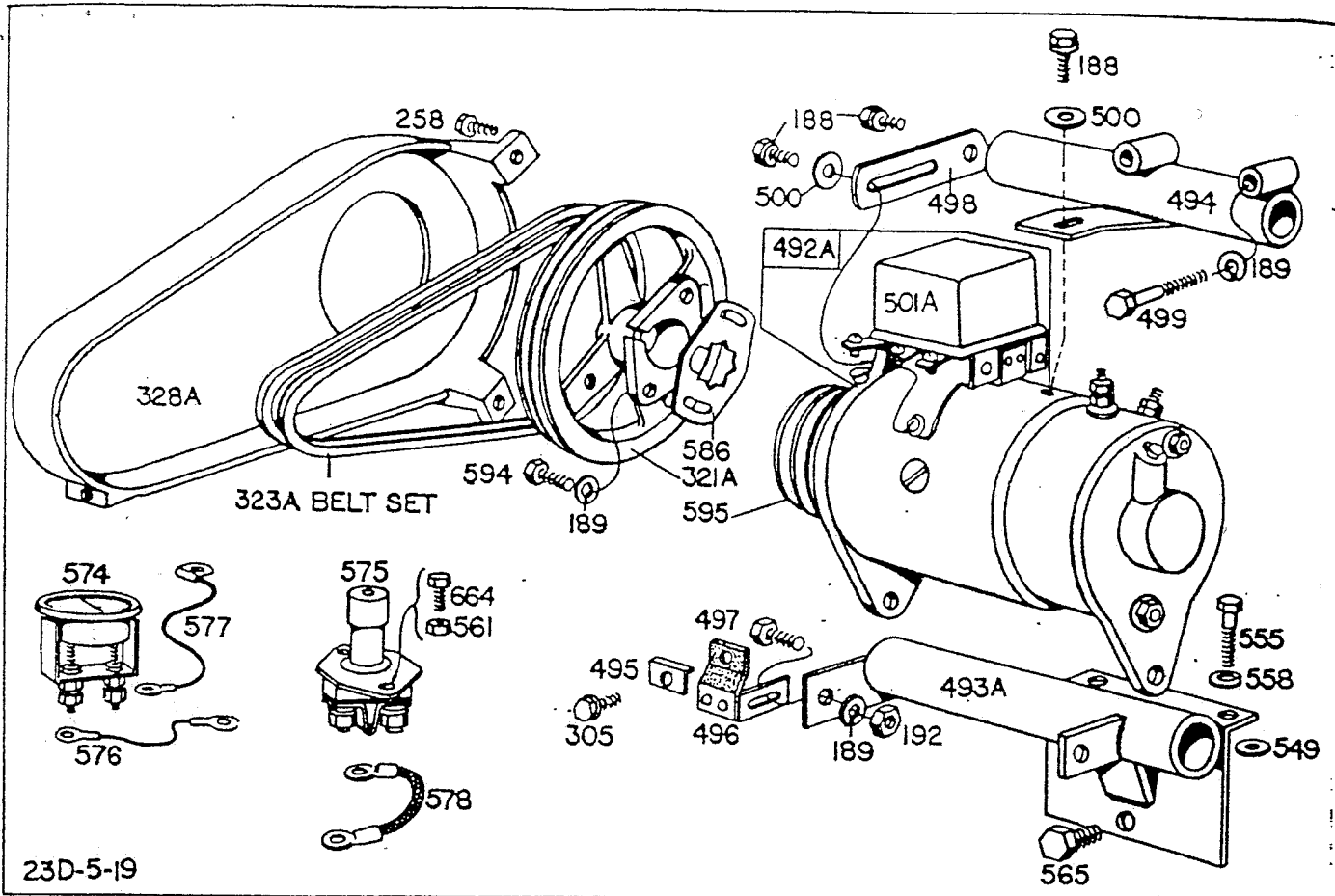
23D



Assemblies include all parts shown in frames.



Assemblies include all parts shown in frames.



REF. NO. I - 16

REF. NO.	PART NO.	DESCRIPTION	REF. NO.	PART NO.	DESCRIPTION	REF. NO.	PART NO.	DESCRIPTION
1	298202	Cylinder Assembly	15	91084	Plug—Pipe—3/8"			260763 Crankshaft
5	210580	Head—Cylinder		Note:	93418 Plug—Pipe			Used on type Nos.
6	22963	Washer—Cylinder Head			(Socket Head)			0115, 0148, 0152,
7	*270273	Gasket—Cylinder Head			Used on type No. 0208.			0157, 0167, 0170,
	Note:	Three No. 270273 Cylinder Head Gaskets are used on type Nos. 0133, 0134, 0155, 0183.	16	260761	Crankshaft			0173, 0192, 0203,
8	297704	Breather		Note:	260760 Crankshaft			0204, 0222, 0226,
	Note:	294630 Breather Used on type Nos. 0126, 0158, 0162, 0166, 0183.			Used on type Nos. 0112, 0135, 0142, 0161, 0215,			709510, 709515,
9	*66214	Gasket—Valve Cover			709526, 709531.			709520, 709521,
11	67068	Tube—Breather			260762 Crankshaft			709538.
12	*27350	Gasket—Crankcase Cover			Used on type Nos. 0114, 0136, 0172, 0175, 0179, 0182, 0185, 0205, 0225,			260764 Crankshaft
14	92674	Screw—Cylinder Head			709512, 709517,			Used on type Nos.
					709530, 709533,			0030, 0120, 0131,
					709534, 709537.			0134, 0143, 0159,
								0160, 0164, 0165,
								0195, 0201, 0214,
								0217, 709810,
								709815, 709816,
								709817, 709819.
								260765 Crankshaft
								Used on type Nos.
								0040, 0121, 0171,

* Included in Gasket Set—Part No. 291728.

REF. NO.	PART NO.	DESCRIPTION	REF. NO.	PART NO.	DESCRIPTION	REF. NO.	PART NO.	DESCRIPTION
		0224, 709975, 709980. 260776 Crankshaft Used on type Nos. 0139, 0147, 0154, 0169, 0191, 709522, 709523. 260777 Crankshaft Used on type No. 709525. 260779 Crankshaft Used on type Nos. 0180, 709540. 260780 Crankshaft Used on type Nos. 0174, 0177, 0206. 260781 Crankshaft Used on type Nos. 0151, 0156, 0158, 0166. 260782 Crankshaft Used on type No. 0168. 260804 Crankshaft Used on type Nos. 0186, 0211. 260805 Crankshaft Used on type No. 0183. 260806 Crankshaft Used on type No. 0125. 260817 Crankshaft Used on type Nos. 0129, 0208.			0205, 709520, 709526, 709527, 709530, 709534, 709540. 20 298423 Seal—Oil Note: 291675 Seal—Oil Used in Crankcase Covers on Model 23D—B and 23D—FB Engines 21 66768 Plug—Oil Filler 23 297192 Flywheel—Magneto Note: 220802 Screen (Mounted to Flywheel) 220803 Support— Screen 230397 Spacer (4) 93415 Screw (4) 67632 Washer— Plain (4) Used on type Nos. 0125, 0126, 0129, 0151, 0158, 0162. 24 221613 Key—Flywheel 25 99947 Piston Assy.—Std. Note: 294676 Piston Assy.— Standard Used on type No. 0129. 99948 Piston Assembly— .010" O. S. Note: 294677 Piston Assy.— .010" O. S. Used on type No. 0129. 99949 Piston Assembly— .020" O. S. Note: 294678 Piston Assy.— .020" O. S. Used on type No. 0129. 99950 Piston Assembly— .030" O. S. Note: 294679 Piston Assy.— .030" O. S. Used on type No. 0129.			26 292100 Ring Set—Piston— Standard 292101 Ring Set—Piston— .010" O. S. 292102 Ring Set—Piston— .020" O. S. 292103 Ring Set—Piston— .030" O. S. 27 65776 Lock—Piston Pin Note: 68546 Lock—Piston Pin Used on type Nos. 0129, 0208. 28 69925 Pin Assembly— Piston—Standard 29103 Pin Assembly— Piston—.005" O. S. Note: 298401 Pin Assy.— Piston Used on type Nos. 0129, 0208. 29 291647 Rod Assembly— Connecting Note: For Connecting Rod with .020" undersize Crankpin Bore—order No. 295362. 298400 Rod Assy.— Connecting Used on type Nos. 0129, 0208. For Connecting Rod with .020" undersize Crankpin Bore—order No. 390304. 30 220805 Dipper—Connecting Rod 31 22946 Lock—Connecting Rod Screw 32 230557 Screw—Connecting Rod 33 23923 Valve—Exhaust Note: 261207 Valve—Exhaust Used on type Nos. 0126, 0139, 0151, 0152, 0154, 0158, 0162, 0167, 0190, 0218, 0219, 0226, 709523, 709525, 709536, 709537. 34 23922 Valve—Intake Note: 23923 Valve—Intake Used on type Nos. 0126, 0139, 0151,
17	291667	Bearing—Ball						
18	291283	Cover Assembly— Crankcase (Plain Bearing) Used only on Model 23D Engines						
	291665	Cover Assembly— Crankcase (Ball Bearing) Used only on Model 23D—B and 23D—FB engines except as listed under note.						
	Note:	291710 Cover Assy.— Crankcase Used on type Nos. 0125, 0127, 0135, 0142, 0152, 0167, 0180, 0182, 0192,			PISTON RING SETS: Note: For Chrome Piston Ring Set—standard size—order Part No. 298746.			

REF. NO.	PART NO.	DESCRIPTION	REF. NO.	PART NO.	DESCRIPTION	REF. NO.	PART NO.	DESCRIPTION
		0152, 0154, 0158, 0162, 0167, 0190, 0218, 0219, 0226, 709523, 709525, 709536, 709537.			0040, 0121, 0171, 0224, 709975, 709980. Includes: 63382 Cup-Bearing 230012 Pin-Washer Retainer 220064 Washer-Thrust	88	27328	Gasket-Gear Case Cover Note: 68247 Gasket-Gear Case Cover Used on type Nos. 0040, 0121, 0171, 0224, 709975, 709980.
35	65906	Spring-Intake Valve	81	220790	Lock-Gear Case Mounting Screw	89	91488	Plug-Sq. Hd., 1/8" Pipe
36	65906	Spring-Exhaust Valve Note: 26828 Spring-Exhaust Valve Used on type Nos. 0126, 0129, 0136, 0151, 0152, 0154, 0157, 0158, 0161, 0162, 0167, 0172, 0175, 0179, 0182, 0190, 0191, 0192, 0199, 0205, 0211, 0218, 0219, 0226, 709520, 709521, 709522, 709531, 709534, 709537. 26833 Spring-Exhaust Valve Used on type No. 0185.	83	291762	Shaft Assy.-Drive Note: 290638 Drive Shaft, Gear and Bearing Assembly Used on type Nos. 0040, 0121, 0171, 0224, 709975, 709980. Includes: 19015 Cone-Roller Bearing (Large) 69866 Cone-Roller Bearing (Small) 22723 Shim-.003" Thick 22724 Shim-.010" Thick	90	293950	Carburetor Assembl Note: 291427 Carburetor Assembly Used on type No. 709525. 291746 Carburetor Assembly Used on type Nos. 0139, 0191, 709522, 709523. 292106 Carburetor Assembly Used on type Nos. 0133, 0134, 0155, 0183. 293948 Carburetor Assembly Used on type No. 0207. 296724 Carburetor Assembly Used on type No. 0222. 297498 Carburetor Assembly Used on type Nos. 0148, 0192, 709520
40	68293	Retainer-Valve Spring Collar Note: 292260 Rotocap- Exhaust Valve Used on type Nos. 0126, 0129, 0136, 0151, 0152, 0154, 0157, 0158, 0161, 0162, 0167, 0172, 0175, 0179, 0182, 0190, 0191, 0192, 0199, 0205, 0211, 0218, 0219, 0226, 709520, 709521, 709522, 709531, 709534, 709537.	85	91386	Screw-Gear Case Cover and Link Anchor Mounting (2" Long) Note: 92279 Screw-Gear Case Cover (1-1/2" Long) Used on type Nos. 0040, 0121, 0171, 0224, 709975, 709980.	91	291655	Body Assembly- Upper Carburetor Note: 296723 Body Assy.- Upper Carburetor Used on type No. 0222.
41	68283	Collar-Valve Spring Retainer	86	291354	Cover Assembly- Gear Case Note: 290574 Cover Assy.- Gear Case Used on type Nos. 0040, 0121, 0171, 0224, 709975, 709980. Includes: 22723 Shim-.003" Thick 22724 Shim-.010" Thick	92	99375	Body-Upper Carb.
45	26670	Tappet-Valve				93	23108	Bushing-Throttle Shaft
46	211335	Gear-Cam				94	† 292681	Valve Assembly- Carburetor Idle
50	21920	Elbow-Carburetor Intake				95	93038	Screw-Choke and Throttle Valve Mounting Sem
51	† *65647	Gasket-Intake Elbow				96	62940	Valve-Throttle
52	*27381	Gasket-Intake Elbow Mounting				97	291300	Shaft Assy.-Thrott
79	291357	Case Assembly-Gear Note: 291712 Case Assy.- Gear Used on type Nos.	87	298423	Seal-Oil			

* Included in Gasket Set-
Part No. 291728.

† Included in Carburetor Overhaul
Kit-Part No. 291763.

REF. NO.	PART NO.	DESCRIPTION	REF. NO.	PART NO.	DESCRIPTION	REF. NO.	PART NO.	DESCRIPTION
98	26157	Spring—Throttle Adjustment		†68677	Packing—Needle Valve	170	91468	Screw—Cap, Hex. Hd.—1/4-20 x 3/8"
99	91920	Screw—Machine, Fill. Hd.—8-32 x 5/8"		†23118	Nut—Needle Valve Packing	171	92129	Nut—Hex.—1/4-28
100	61967	Stop—Throttle			Used on type Nos. 0133, 0134, 0155, 0183.	180	291488	Tank Assembly—Fuel (6 Quart)
101	93043	Pin—Throttle Lever					Note:	Fuel Tank used on type No. 0129 is supplied by the equipment manufacturer.
102	†27034	Gasket—Carburetor Body	119	90746	Screw—Machine, Fill. Hd.—10-32 x 5/8"			290816 Tank Assy.—Fuel (4 Quart)
103	99333	Float—Carburetor	120	92290	Washer—Lock—No. 10 x 1/16 x 3/64"			Used on type Nos. 0178, 0207.
104	†23114	Pin—Float Hinge	121	291763	Carburetor Overhaul Kit			291513 Tank Assy.—Fuel (Gasoline-Kerosene)
105	†293962	Valve and Seat—Fuel Inlet	123	93415	Screw—Sem			Used on type No. 0133, 0134, 0155, 0183.
106	27639	Gasket—Fuel Inlet Valve Seat	158	27590	Filter—Carburetor Drain			292415 Tank Assy.—Fuel (8 Quart)
107	89915	Body Assembly—Lower Carburetor	159	220521	Retainer—Filter			Used on type Nos. 0132, 0146, 0151, 0162, 0187, 0192, 0193, 0197, 0225, 709520, 709532, 709533.
	Note:	291745 Body Assy.—Lower Carburetor Used on type Nos. 0139, 0191, 0207, 709522, 709523.	163	*67247	Gasket—Air Cleaner Mounting			
		296573 Body Assy.—Lower Carburetor Used on type No. 0222.	164	291462	Pipe—Air Cleaner			
108	62872	Valve—Choke		Note:	294632 Pipe—Air Cleaner Used on type No. 0126, 0132, 0158, 0162, 0166, 0183.			
	Note:	22954 Valve—Choke Used on type Nos. 0139, 0191, 0207, 709522, 709523.			Uses:			
109	89531	Shaft and Lever—Choke			66788 Tube—Breather			
	Note:	291747 Shaft, Vane and Lever Assembly—Automatic Choke			220851 Clamp—Tube			
		291776 Lever Assy.—Automatic Choke Used on type Nos. 0139, 0191, 0207, 709522, 709523.			296036 Pipe—Air Cleaner Used on type Nos. 0127, 0129.	181	69221	Cap—Fuel Tank
110	62899	Washer—Choke Lever and Thermostat	165	93453	Nut—Wing	182	22813	Bracket—Fuel Tank
111	26155	Spring—Choke Lever	166	297749	Stud—Air Cleaner	183	291490	Strap Assy.—Fuel Tank
112	23123	Screw—Choke Lever		Note:	230639 Stud—Air Cleaner Used on type No. 0127.		Note:	291367 Strap Assy.—Fuel Tank Used on type Nos. 0178, 0207.
113	†390395	Nozzle—Carburetor			230697 Stud—Air Cleaner Used on type No. 0129.			
114	†68667	Gasket—Nozzle			295145 Stud—Air Cleaner Used on type Nos. 0126, 0132, 0158, 0162, 0168, 0203, 0223.	184	91257	Screw—Machine, Fill. Hd.—1/4-20 x 1-1/4"
118	†99525	Valve—Needle				185	90970	Nut—Square—1/4-20
	Uses:					186	63377	Connector—Fuel Pipe
	†23117	Retainer—Needle Valve	167	65978	Gasket—Air Cleaner Stud		Note:	67218 Connector—Fuel Pipe Used on type Nos. 0129, 0158, 0187, 0197, 0208, 0214.
	Note:	391213 Valve—Needle	168	222707	Strap—Air Cleaner Pipe			92780 Connector—Fuel Pipe (at Fuel Pump) Used on type No. 709525.
	Uses:	292226 Retainer Assy.—Needle Valve	169	90832	Washer—Lock—1/4 x 3/32 x 5/64"	187	391498	Pipe—Fuel
							Note:	Fuel Pipe used on type No. 0129 is

* Included in Gasket Set—Part No. 291728.

† Included in Carburetor Overhaul Kit—Part No. 291763.

REF. NO.	PART NO.	DESCRIPTION	REF. NO.	PART NO.	DESCRIPTION	REF. NO.	PART NO.	DESCRIPTION
		supplied by the equipment manufacturer.	204	23849	Bushing—Control Lever			Used on type No. 0208.
		291703 Pipe—Fuel	206	21772	Nut—Governor Adjusting	241	99909	Cover Assembly—Fuel Filter
		Used between Carburetor and Fuel Pump on type Nos. 0139, 0191, 709522, 709523, 709525.		Note:	93384 Stopnut—Hexagon		Note:	296005 Cover Assy. Fuel Filter
		291704 Pipe—Fuel—18" Long			Used on type Nos. 0126, 0135, 0140, 0141, 0158, 0162, 0174, 0177, 0178, 0182, 0183, 0185, 0188, 0194, 0206, 0208, 0212, 0214, 709017, 709018, 709021, 709534, 709819.			Used on type Nos. 0187, 0197, 0214.
		89248 Pipe—Fuel—2-1/4" Long			93422 Nut—Governor Stop	242	295913	Valve—Fuel Shut-off
		92655 Tee			Used on type No. 0129.		Note:	293934 Valve—Fuel Shut-off
		Used on type Nos. 0133, 0134, 0155, 0183.	208	230040	Rod—Governor Control			Used on type No. 0208.
		293646 Pipe—Fuel (Flexible)	209	26764	Spring—Governor	243	22547	Screen—Fuel Filter
		293059 Cap Assy.—Fuel		Note:	260815 Spring—Governor (2" Long)	244	53029	Connector—Fuel Pipe
		292370 Valve—Fuel Shut-off			260816 Spring—Governor (2-1/2" Long)		Note:	67218 Connector—Fuel Pipe
		92953 Elbow—90° (At Lower Shut-off Valve Outlet)			Used on type No. 0129.			Used on type No. 0208.
		93037 Elbow—90° (Between Fuel Pipe and Valve)	219	291192	Gear Assembly—Governor	245	*68477	Gasket—Fuel Filter Bowl
		The above Fuel Pipes and Fittings are used between Fuel Tank and Fuel Pump on type No. 709525.	223	22814	Lever—Governor Control	246	298683	Bowl—Fuel Filter
		296004 Pipe—Fuel (Flexible)		Note:	299428 Lever Assy.—Governor Control	247	99665	Yoke Assembly—Fuel Filter
		Uses:			Uses:	258	93686	Screw—Sem
		93053 Clamps			92287 Screw—Swivel	261	93105	Screw—Sem
		Used on type Nos. 0187, 0197, 0208, 0214.			Used on type No. 0151.	266	291460	Control—Throttle Casing—Control Wire 72" Long
		296576 Pipe—Fuel	225	291177	Shaft—Governor Gear	268	65616	
		Used on type No. 0222.	227	291365	Lever Assy.—Governor		Note:	If longer casing is required, specify length in inches; if shorter casing is needed, order No. 65616 and cut to required length.
188	93535	Screw—Cap		Note:	298399 Lever Assy.—Governor	269	26633	Wire—Control—78" Long
189	90366	Washer—Lock—5/16 x 1/8 x 1/16"			Used on type No. 0129.		Note:	If longer wire is required, specify length in inches; if shorter wire is needed, order No. 26633 and cut to required length.
192	91397	Nut—Hex. 5/16-18	230	22826	Washer—Governor Crank	270	63426	Locknut—Control Wire Casing
196	22907	Support—Upper Fuel Tank	240	393169	Filter Assembly—Fuel (At Tank)			
201	26725	Link—Throttle		Note:	297563 Outlet Assy.			
	Note:	260584 Spring—Throttle Link			298090 Filter (In Fuel Pipe)			
		Used on type Nos. 0192, 709520.						

* Included in Gasket Set—Part No. 291728.

REF. NO.	PART NO.	DESCRIPTION	REF. NO.	PART NO.	DESCRIPTION	REF. NO.	PART NO.	DESCRIPTION
271	290568	Lever Assy.—Control		297453	Housing—Blower		Note:	293918 Plug—Spark
	Note:	93469 Screw—Sem			Used on type Nos.			Used on type Nos.
		Used to mount Control			0137, 0138, 0141,			0139, 0148, 0150,
		Lever on type Nos.			0145, 0165, 0177,			0154, 0157, 0191,
		0135, 0140, 0141,			0178, 0183, 0188,			0226, 709521,
		0174, 0177, 0184,			0196, 0200, 0207,			709522, 709523,
		0185, 0194, 0195,			0208, 0209, 0212,			709524, 709525,
		0206, 0212, 0214,			0213, 0218, 0220,			709536.
		709017, 709018,			0221, 709011,			Above Spark Plugs
		709021, 709539.			709016, 709017,			use Ignition Cable
285	26684	Link—Choke			709019, 709021,	338	29806	Terminal No. 221798.
286	291445	Thermostat Assembly			709022.	339	298185	Gasket—Spark Plug
287	90050	Screw—Machine, Rd.	305	93158	Screw—Backplate			Breaker Assembly—
		Hd.—6-32 x 1/4"		Note:	Mounting			Ignition
288	93141	Washer—Lock—No.		93294	Screw—Sem—	340	26018	Spring—Breaker Arm
		6 x 3/64 x 1/32"			1/4-20 x 5/8"	342	298125	Plunger—Contact
289	23886	Support—Thermostat		92278	Nut—Hex.,	343	298060	Condenser
		Shaft (Outer)			1/4-20	345	211327	Cover—Breaker
290	291444	Tube Assembly—			Used to mount Starter	346	93400	Screw—Breaker Cover
		Thermostat			Switch to Panel on			Mounting Sem
291	26594	Thermostat			type Nos. 0145,	347	220197	Switch—Stop
292	23885	Support—Thermostat			0207, 0213, 0218.		Note:	29372 Switch—Stop
		Shaft (Inner)			Shield—Cylinder			Used on type No.
293	23884	Stop—Thermostat Shaft	306	22951				0151.
294	92678	Screw—Set, Socket	308	291866	Cover—Cylinder Head			293739 Switch—Stop
		Hd.—6-32 x 5/16"	321	211166	Pulley—V-Belt Starter			Used on type Nos.
295	23954	Shaft—Thermostat	321A	210630	Pulley—V-Belt Starter			0135, 0136, 0175,
296	291044	Lever Assembly—	323	67918	V-Belt			0185.
		Thermostat	323A	296499	V-Belt Set	353	92791	Washer—Lock—
300	299477	Muffler—Exhaust			(Consists of Matched			Shakeproof
	Note:	291519 Muffler—			Set of 2)	354	90576	Nut—Hex.—8-32 (2)
		Exhaust			Used on type Nos.	356	295413	Wire—Ground
		Used on type Nos.			0189, 0197, 0214.	357	91540	Key—Pulley Mounting
		0147, 0160, 0165,			Screen—Elec. Starter	358	291728	Gasket Set
		0173, 0187, 0197,	324	221067		362	291630	Shield—Spark Plug
		0204.	328	221531	Guard—Belt	363	19068	Puller—Flywheel
301	91416	Nipple—Exhaust, Pipe	328A	210636	Guard—Belt			(Optional Accessory)
302	91310	Locknut—Muffler		Note:	210657 Guard—Belt	379	22984	Cover—Fuel Pump
303	91296	Elbow—Exhaust 90°			Used on type Nos.			Hole
		Pipe			0189, 0197, 0214.	383	89838	Wrench—Spark Plug
	Note:	91308 Elbow—	329	93294	Screw—Belt Guard	386	27314	Gasket—Fuel Pump
		Exhaust, 90° Street			Mounting Sem			Mounting
		Used on type No.	332	230674	Nut—Flywheel	387	291493	Pump Assembly—Fuel
		0137.		Note:	92799 Nut—Pulley	388	220431	Lever—Fuel Pump
304	291407	Housing—Blower			Mounting	389	23783	Pin—Fuel Pump Lever
	Note:	294698 Housing—			Used on type Nos.	390	26616	Spring—Fuel Pump
		Blower			0180, 709540.			Lever
		Used on type Nos.	333	296834	Armature Assembly	391	21695	Body—Fuel Pump
		0125, 0126, 0129,	334	93381	Screw—Armature to	392	26588	Spring—Fuel Pump
		0151, 0158, 0162.			Mounting Plate Sem			Diaphragm
		294746 Housing—			Plug—Spark	393	22740	Screen—Fuel Pump
		Blower			(with Gasket)			Filter
		Used on type Nos.	337	29693		394	290622	Diaphragm—Fuel Pump
		0189, 0197, 0214.				395	290623	Valve—Fuel Pump

REF. NO.	PART NO.	DESCRIPTION	REF. NO.	PART NO.	DESCRIPTION	REF. NO.	PART NO.	DESCRIPTION
396	66204	Gasket—Fuel Pump Valve			Used on type Nos. 0145, 0207, 0209, 0213, 0218.	565	93142	Screw—Bracket to Base Mounting
397	21694	Head—Fuel Pump				566	99458	Idling Device
400	230010	Wrench—Socket Screw	506	90072	Screw—Machine, Fil. Hd.—8-32 x 5/8"			Uses: 91146 Screw—Cap, Hex. Hd., 1/4-20 x 7/8" For mounting
423	93410	Screw—Cable Clamp	507	66895	Insulator			
451	90364	Washer—Lock—No. 8 x 3/64 x 1/32"	517	22809	Pulley—Rope Starter			
492	297779	Starter—Generator (Delco-Remy No. 1101864 and Pulley—Delco-Remy No. 1949358)			Note: 210150 Pulley—Rope Starter	567	291364	Crank Assembly—Governor
492A	294726	Starter—Generator (Delco-Remy No. 1101971)			Used on type Nos. 0180, 709540.	568	291404	Base Assy.—Engine
493	211169	Bracket—Lower Starter	518	69932	Rope—Starter			Note: 294751 Base Assy.—Engine
493A	294815	Bracket—Lower Starter	521	291508	Shielding—Ignition Cable			Used on type Nos. 0137, 0138, 0141, 0145, 0165, 0177, 0178, 0183, 0187, 0188, 0196, 0200, 0207, 0208, 0209, 0212, 0213, 0218, 0220, 0221.
		Note: 294806 Bracket—Lower Starter	535	270093	Element—Air Cleaner			298398 Base Assy.—Engine
		Used on type Nos. 0189, 0197, 0214.	536	297869	Cleaner Assy.—Air			Used on type No. 0129.
494	294770	Bracket—Upper Starter			Note: 291858 Cleaner Assembly—Air	569	*27351	Gasket—Engine Base
		Note: 294804 Bracket—Upper Starter			Used on type Nos. 0126, 0132, 0158, 0162, 0168, 0203, 0222.			Note: 27551 Gasket—Engine Base
		Used on type Nos. 0189, 0197, 0214.			Uses:			Used on type Nos. 0040, 0121, 0171, 0224, 709011, 709016, 709017, 709019, 709021, 709022, 709975, 709980.
495	220883	Clamp—Guard Bracket	549	22243	Washer—Bracket Spacer	570	291662	Support Assembly—Plain Bearing
496	294779	Bracket—Guard	550	*22353	Washer—Valve Cover			Note: 291672 Support Assy.—Ball Bearing
		Note: 294807 Bracket—Guard	551	22795	Cover—Valve			Used on Model 23D—B and 23D—FB Engines.
		Used on type Nos. 0189, 0197, 0214.	552	23837	Bushing—Governor Crank	572	291871	Guide—Front Air
497	92271	Screw—Cap, Hex. Hd.—5/16-18 x 1"	553	62222	Cup—Valve Spring	573	298159	Plate—Back
498	220881	Link—Adjusting	554	66203	Shaft—Cam	574	295158	Ammeter
499	92035	Screw—Cap, Hex. Hd.—5/16-18 x 2-1/2"	555	90804	Screw—Cap, Hex. Hd.—3/8-16 x 1-1/2"			(Stewart Warner No. 357-W)
		Note: 91110 Screw—Cap, Hex. Hd.—5/16-18 x 2-3/4"	556	90887	Screw—Cap, Hex. Hd.—3/8-16 x 1-1/4"			Note: 298586 Holder—Charge Indicator Lamp
		Used on type Nos. 0189, 0197, 0214.	557	90931	Screw—Cap, Hex. Hd.—1/2-20 x 2-1/4"			67245 Lamp—Charge Indicator
500	91325	Washer—Bracket to Generator Mounting	558	92268	Washer—Lock—3/8 x 1/8 x 3/32"			(#1893, T-3 1/4 Bulb Miniature Bayonet Base 12 Volt)
501	295924	Regulator—Voltage (Delco-Remy No. 1118988)	559	93294	Screw—Sem			
501A	297196	Regulator—Voltage (Delco-Remy No. 1119577)	560	91984	Pin—Cotter—1/16 x 1/4" Long			
		Note: 297197 Clamp (Regulator to Gen.)	561	92278	Nut—Hex.—1/4-20			
		298578 Wire (Regulator to Gen.)	562	92613	Bolt—Governor Lever			
			563	93158	Screw—Self Tapping, Hex. Hd.—1/4-20 x 5/8"			

* Included in Gasket Set—Part No. 291728.

REF. NO.	PART NO.	DESCRIPTION	REF. NO.	PART NO.	DESCRIPTION	REF. NO.	PART NO.	DESCRIPTION
575	299139	Used on type Nos. 0145, 0207, 0213, 0218. Switch—Starter Note: 298590 Switch—Ignition Uses: 298579 Wire—Ignition Switch to Indicator Lamp 298580 Wire—Ignition Switch to Ground 298581 Wire—Ignition Switch to Breaker Box 221745 Panel—Instrument Uses: 93535 Screw—Cap 91325 Washer—Plain 90366 Washer—Lock To mount Panel to Generator Used on type Nos. 0145, 0207, 0213, 0218.			298582 Wire—Starter Switch to Ignition Switch and "Bat." Terminal on Regulator Uses: 93390 Nut—Hex. — 3/8-16 92268 Washer—Lock Used on type Nos. 0145, 0207, 0213, 0218.	596	93347	Screw—Fuel Pump Head Mounting Sem
			586	22906	Lock—Flywheel Nut	605	297171	Bracket—Guard
			587	221340	Clamp—Cable	606	221442	Strap—Adjusting
			588	221295	Plate—Armature Mtg.	635	66538	Elbow—Spark Plug
			589	93171	Screw—Armature Plate to Cylinder Mounting Sem	636	92864	Washer—Lock
						637	66154	Washer—Back Plate Term.
			590	93171	Screw—Breaker Mounting Sem	638	26404	Washer—Back Plate Term.
			591	65932	Plug—Camshaft	639	270176	Gasket—Breaker Cover
			592	90356	Nut—Hex. —10-24	640	298141	Lead—Primary
			593	*27349	Gasket—Plain or Ball Bearing Support— .020" Thick	642	221468	Cover—Air Cleaner
						643	280001	Screen—Air Cleaner
						644	221466	Base—Air Cleaner
						645	230775	Bushing—Plunger
						646	221472	Brace—Bracket
						647	211170	Link—Anchor
						648	91439	Screw—Cap, Hex. Hd. —1/4-20 x 3/8"
						649	93546	Screw—Cap, Hex. Hd.—5/16-18 x 1-1/4"
						650	91814	Screw—Cap, Hex. Hd. —3/8-16 x 2"
						651	92034	Screw—Cap, Hex. Hd. —5/16-18 x 1/2"
576	295160	Wire—Ammeter to Switch			*27374 Gasket—Plain or Ball Bearing Support— .005" Thick	652	91162	Screw—Bracket to Bracket
577	295161	Wire—Ammeter to Regulator			*27375 Gasket—Plain or Ball Bearing Support— .009" Thick	653	91442	Screw—Pulley Mtg.
578	295162	Wire—Starter Switch Note: 298583 Wire—Starter Switch to Generator	594	91449	Screw—Pulley Mtg.	654	230783	Nut—Contact Point Adjusting Screw
			595	230603	Pulley—Starter Gen. (Delco-Remy No. 1945744)	661	91203	Screw—Cap, Hex. Hd.—5/16-18 x 1-3/4"

* Included in Gasket Set—
Part No. 291728.