

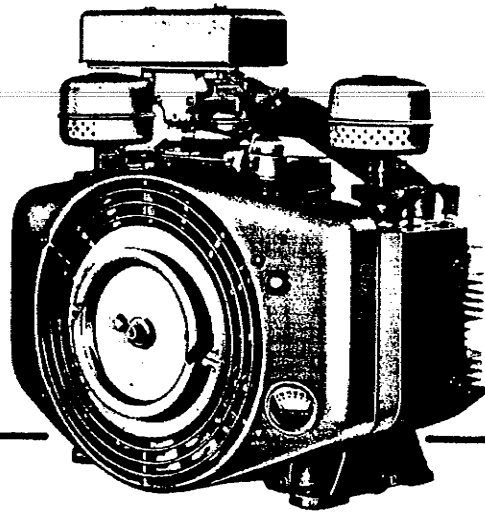
484 7808

---

**Onan**

**Parts  
Manual**

**CCKB  
Engines**



---

927-0404  
(Spec G-J)  
5-78 (Spec G-J)  
4-81  
Printed in U.S.A.

## SAFETY PRECAUTIONS

The following symbols are used in Onan manuals to alert users to the potentially dangerous conditions relating to maintenance of the equipment and replacement of parts. Please read and observe.

**▲ DANGER** This symbol warns of immediate hazards which will result in severe personal injury or death.

**▲ WARNING** This symbol refers to a hazard or unsafe practice which can result in severe personal injury or death.

**▲ CAUTION** This symbol refers to a hazard or unsafe practice which can result in personal injury or product or property damage.

## MODEL IDENTIFICATION

To avoid errors or delay in filling your parts order, always give the MODEL, SPEC NO., and SERIAL NO. from the Onan nameplate.

For handy reference, insert your nameplate information in the spaces below:

MODEL AND SPEC NO.

SERIAL NO.

## PRODUCT SAFETY PRECAUTIONS

### ▲ WARNING

Contact with USED ENGINE OILS has been identified by a United States federal agency and some USA state agencies as causing CANCER or REPRODUCTIVE TOXICITY. When checking or changing engine oils take all necessary precautions not to ingest, breathe the fumes or contact the used oil.

### ▲ WARNING

Contact with ASBESTOS has been identified by a United States federal agency and some USA state agencies as causing CANCER or REPRODUCTIVE TOXICITY. When handling engine gaskets take all necessary precautions not to ingest, breathe or contact the dust from the gaskets! Use adequate ventilation and wear protective gloves, masks and clothing!

### ▲ WARNING

Contact with BENZINE and LEAD, found in gasoline, fuel additives and solvents has been identified by a United States federal agency and some USA agencies as causing CANCER or REPRODUCTIVE TOXICITY. When checking, draining or adding gasoline and fuel additives, or using solvents take all necessary precautions not to ingest, breathe the fumes, or contact the liquids. Use adequate ventilation and wear protective gloves, masks and clothing!

# INDEX

GROUP TITLES	LOCATION	
DATA TABLE .....	A4	
INTRODUCTION .....	A4	
STANDARD ENGINE GROUPS .....	A4	
Block, Cylinder .....	A6,7	
Box, Ignition Breaker .....	B5	
Camshaft .....	A10	
Carburetor Parts - Gasoline - Begin Spec H .....	B2	
Carburetor Parts - Gasoline - Spec G Only .....	B3	
Crankshaft and Flywheel .....	A5	
Fuel System .....	A12,13	
Gearcase .....	A11	
Governor .....	B10	
Housing, Air .....	B10	
Ignition System (Battery) - Key 2 .....	B6,7	
Ignition System (Magnet) - Key 1 .....	B4	
Piston and Rod .....	A10	
Pump Parts, Fuel .....	B1	
Service Kits and Miscellaneous .....	B11	
Spark Advance Mechanism - Key 1 .....	A14	
Starter - Spec G and H .....	B8	
Starter - Begin Spec J .....	B9	Optional Group Number
OPTIONAL EQUIPMENT SECTION .....		
Alternator (Automotive Type) Left Side Mounting .....	C2	1
Alternator (Automotive Type) Right Side Mounting .....	C2	2
Alternator (Automotive Type) Top Mounting .....	C3	3
Alternator, Flywheel (15 Ampere Phelon) - Key 2 .....	C4	5
Alternator, Flywheel (20 Ampere Syncro) - Key 2 .....	C4	6
Alternator, Flywheel (WICO) - Key 2 .....	C3	4
Box, Ignition Breaker - (High Profile) .....	C14	19
Carburetor (Gasoline, Electric Choke) - Spec G Only .....	D4	24
Carburetor (Gas-Gasoline, Manual Choke) - Spec G Only .....	D5	25
Carburetor (Gas-Gasoline, Electric Choke) - Spec G Only .....	D6	26
Carburetor (Gas) - Spec G Only .....	D7	27
Carburetor (Gasoline, Electric Choke) - Begin Spec H .....	D8	28
Carburetor (Gas-Gasoline, Manual Choke) - Begin Spec H .....	D9	29
Carburetor (Gas-Gasoline, Electric Choke) - Begin Spec H .....	D10	30
Carburetor (Gas) - Begin Spec H .....	D11	31
Choke, Thermo-Magnetic .....	D1	20
Clutch .....	C9	12
Control (Engine) .....	C9	13
Control (Governor) - Variable Speed .....	D3	22
Filter, Fuel .....	D3	23
Filter, Oil .....	C5	8
Fuel System (Gaseous Fuel) .....	C11	15
Gear Reduction (3:31) .....	C7	10
Gear Reduction (4:1) .....	C8	11
Generator (Automotive Type) .....	C5	7
Housing, Air - Vacu-Flo Cooling (And Flywheel) .....	C10	14
Miscellaneous Parts .....	D12,13	
Starter Read Pull - Key 1 .....	C6	9
Starter (Solenoid Shift) - Key 2 .....	D2	21
Tank, Fuel (Day) One Quart .....	C12	16
Tank, Fuel (Day) Two Quart .....	C12	17
Tank, Fuel (Side Mounted) .....	C13	18

## INTRODUCTION

This catalog applies to the industrial CCKB Engines listed below and factory installed options. Parts are arranged in groups of related items. Each illustrated part is identified by a reference number corresponding to the same reference number in the parts list for that group. Parts illustrations are typical. Using the MODEL and SPEC NO. from the engine nameplate, select the Parts Key No. (1,2,etc., in the last column) that applies to your Engine Model and Spec No. This Parts Key No. represents parts that differ between models. Unless otherwise mentioned in the description, parts are interchangeable between models. Right and left engine sides are determined by *facing* the blower end (front) of the engine.

## ENGINE DATA TABLE

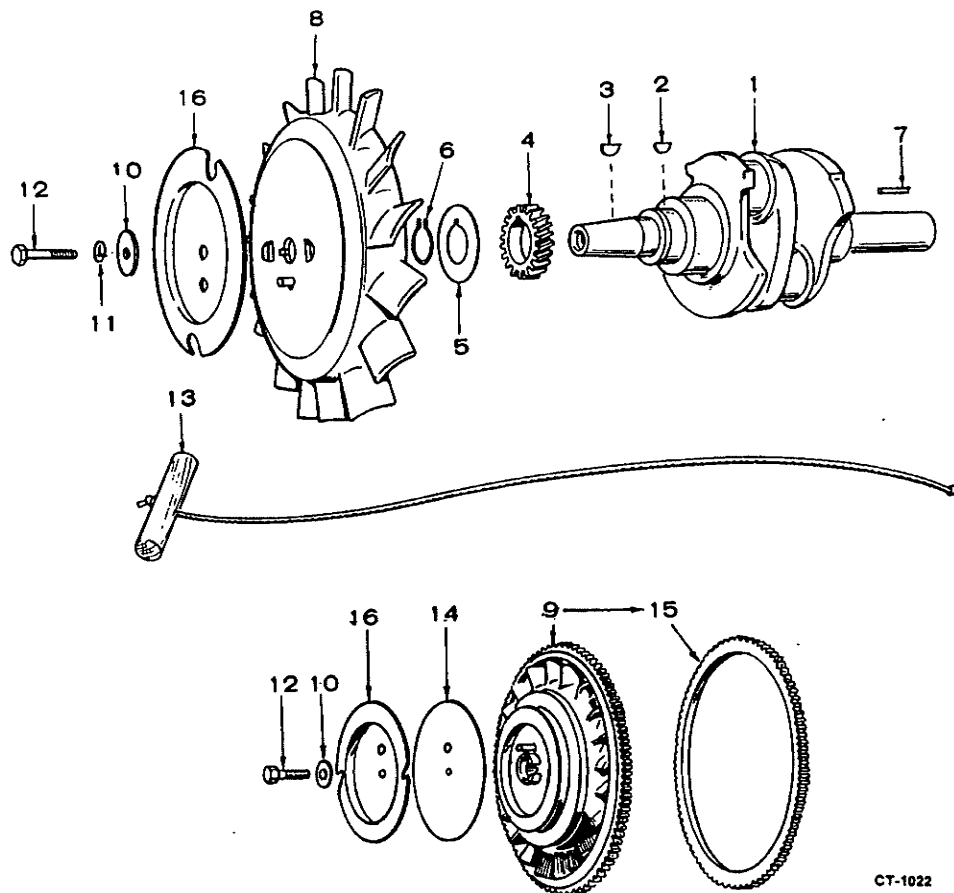
MODEL AND SPEC NO.	PARTS KEY NO.
CCKB-S*	1
£CCKB-MS/*	2

- \* - The Specification Letter Advances (A to B,B to C, etc.) with manufacturing changes.
- £ - New model designations shown, begin during 1969. Previous designations used a V in the model to designate Vacu-Flo cooling.

## STANDARD ENGINE PARTS SECTION

This section contains the engine parts used on standard engines listed in the Engine Data table.

## CRANKSHAFT AND FLYWHEEL



CT-1022

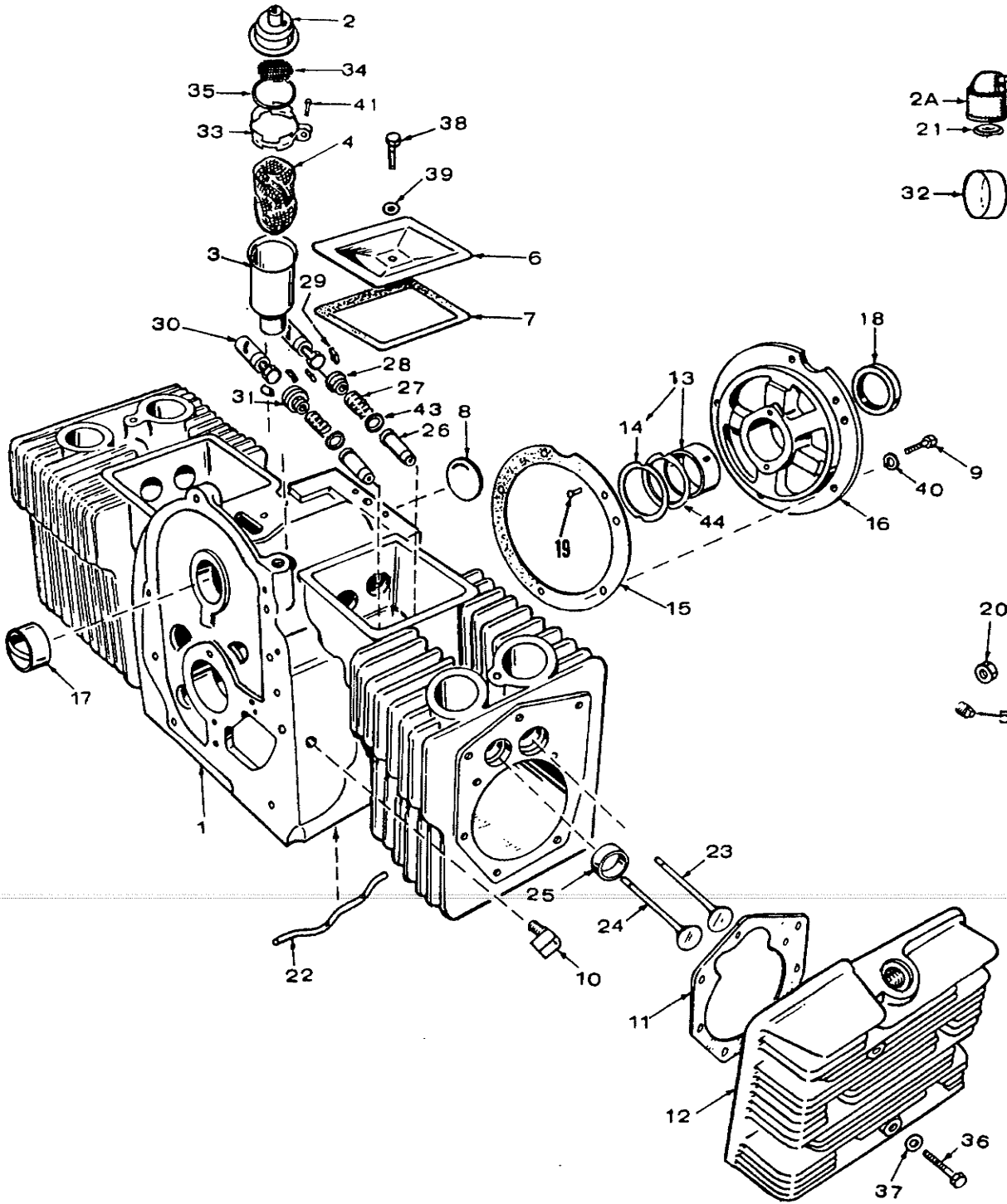
REF. NO.	PART NO.	QTY. USED	PART DESCRIPTION	REF. NO.	PART NO.	QTY. USED	PART DESCRIPTION
1	104-1316	1	Crankshaft (Includes Parts Marked *)	10	WASHER, FLYWHEEL MOUNTING	1	Key 1 (15/32" ID x 1-1/4" OD x 1/4" Thk)
2	515-0001	1	*Key Crankshaft Gear Mounting	526-0128		1	Key 2 (15/32" ID x 1-1/2" OD x 1/4" Thk)
3	515-0227	1	Key, Wheel Mounting (Kit) (Includes Parts Marked †)	11	850-0055	1	Washer, Lock - Spring Flywheel Mounting
	515-0002	1	†Key (#9-3/4" x 3/16")	12	SCREW, WHEEL MOUNTING	1	Key 1
	515-0098	1	*†Key (#61-5/8" x 3/16")	104-0369		1	Key 2 - Spec G and H
4	104-0032	1	Gear, Crankshaft	104-0170		1	Key 2 - Begin Spec J
5	104-0043	1	Washer, Crankshaft Gear Retainer	13	192-0083	1	Roper, Manual Starting
6	518-0014	1	Lock, Crankshaft Gear Washer	14	192-0296	1	Backplate - Rope Sheave (Optional - Key 2)
7	KEY, CRANKSHAFT STUB (Order By Length)			15	134-0673	1	Ring Gear, Flywheel - Key 2
	515-0198	1	2-1/2" lg	16	192-0308	1	Sheave Rope (Optional - Key 1, 2)
	515-0202	1	2-3/8" lg				
8	FLYWHEEL-KEY 1 (Includes Magnets: 2-160-0748, 2-160-0751)	1					
	160-0761	1	Spec G and H				
	160-1072	1	Begin Spec J				
9	FLYWHEEL (Includes Ring Gear)						
	134-1684	1	Key 2 - Spec G and H				
	134-2728	1	Key 2 - Begin Spec J				

\* - Parts Included in 104-1316 Crankshaft Kit.

† - Parts Included in 515-0227 Wheel Mounting Kit.

927-0404 (APRIL 1981)

# CYLINDER BLOCK



C-1046

927-0404 (APRIL 1981)

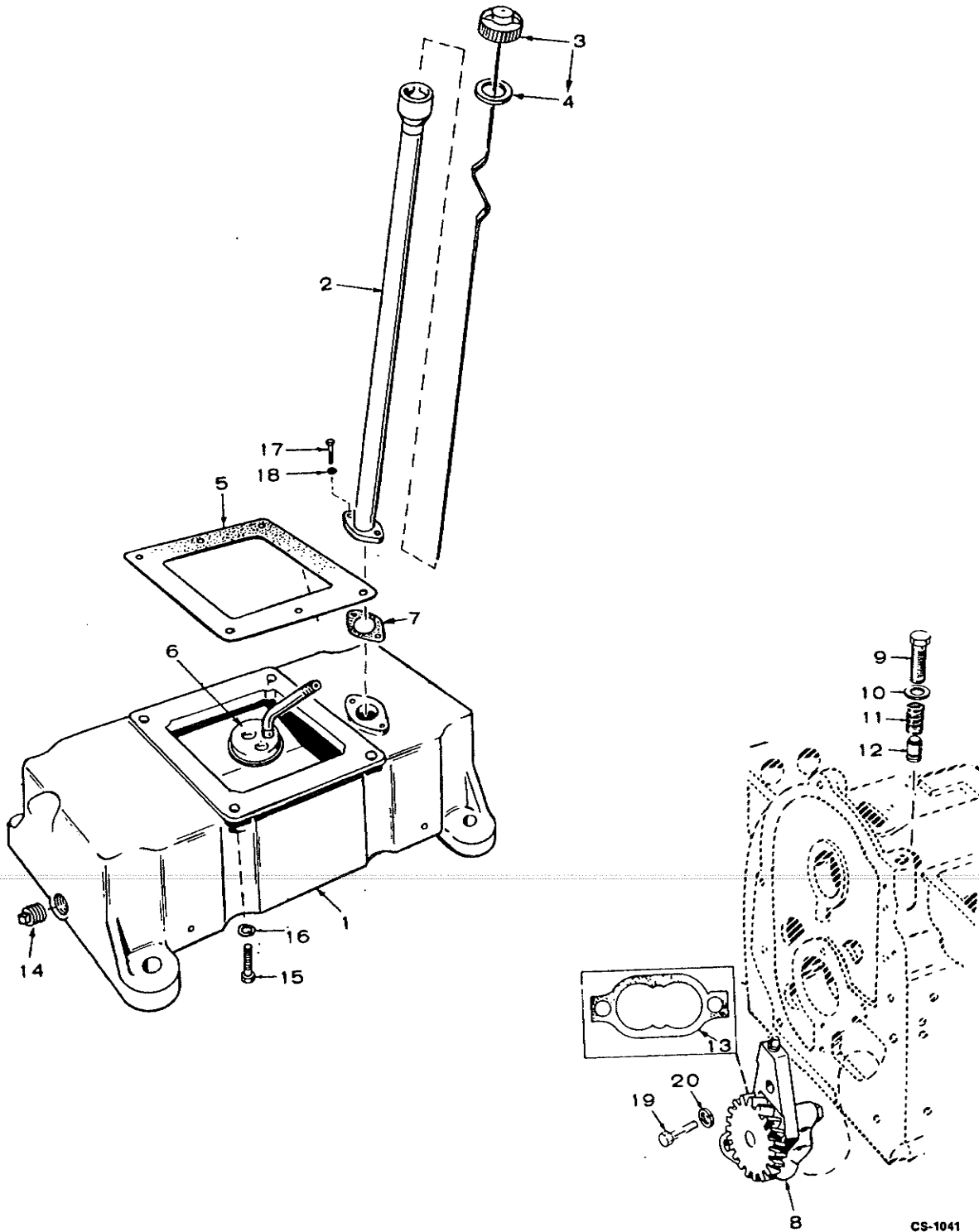
A6

## CYLINDER BLOCK

REF. NO.	PART NO.	QTY. USED	PART DESCRIPTION	REF. NO.	PART NO.	QTY. USED	PART DESCRIPTION
1	110-0915	1	Block Assembly, Cylinder (Includes Parts Marked *)	24	110-0880	2	Valve, Exhaust
2	123-0954	1	Cap and Valve, Breather - Begin Spec H	25	INSERT, EXHAUST VALVE SEAT		
2A	123-0787	1	Cap, Breather Tube - Spec G Only		110-0872	2	Standard
3	TUBE, BREATHER				110-0872-02	2	.002" Oversize
	123-0868	1	Spec G Only		110-0872-05	2	.005" Oversize
	123-0953	1	Begin Spec H		110-0872-10	2	.010" Oversize
4	123-0865	1	Baffle, Breather Tube		110-0872-25	2	.025" Oversize
5	505-0057	1	Plug (1/8"), Pipe - Oil Line Plug	26	110-0902	4	Guide, Valve
6	110-0666	2	Cover, Valve Compartment	27	110-0539	4	Spring, Valve
7	110-0667	2	Gasket, Valve Cover	28	110-0893	2	Washer, Spring Retainer - Intake Valve
8	517-0048	1	*Plug, Camshaft Expansion - Key 2	29	110-0639	8	Lock, Valve and Spring Retainer
9	800-0512	5	*Screw, Cap - Hex Head Bearing Plate Mounting - Replaces Stud and Nut Used On Early Models (Special)	30	TAPPET, VALVE		
10	502-0020	1	Elbow, Street - Oil Line		115-0006	4	Standard
11	110-0892	2	Gasket, Cylinder Head		115-0006-05	4	.005" Oversize
12	HEAD, CYLINDER			31	110-0904	2	Rotocap, Exhaust Valve
	110-0883	1	Left Hand (#1)	32	110-1283	1	*Cover, Timing Control-Key 1
	110-0884	1	Right Hand (#2)	33	123-0951	1	Clamp, Breather Tube Cap - Begin Spec H
13	BEARING, CRANKSHAFT - FRONT AND REAR			34	123-0958	2	Screen, Breather Tube - Begin Spec H
	101-0450	2	Standard - Begin Spec J	35	509-0117	1	"O" Ring, Breather Tube Cap - Begin Spec H
	101-0450-02	2	.002" Undersize	36	SCREW, CAP-HEX HEAD-CYLINDER HEAD MOUNTING		
	101-0450-10	2	.010" Undersize		110-0879	8	Special
	101-0450-20	2	.020" Undersize		114-0022	10	Special
	101-0450-30	2	.030" Undersize	37	526-0122	18	Washer, Flat - Cylinder Head Mounting (11/32" ID x 23/32" OD x 10 Ga. Thk)
14	104-0575	2	*Washer, Crankshaft Bearing Thrust	38	800-0012	2	Screw, Cap - Hex Head Valve Cover Mounting (1/4-20 x 2-1/4" lg)
15	101-0115	1	*Gasket Kit, Bearing Plate	39	526-0063	2	Washer, Flat - Valve Cover Mounting (17/64" ID x 7/16" OD x 1/32" Thk)
16	101-0316	1	*Plate, Rear Bearing (Excludes Bearing)	40	850-0045	5	Washer, Lock - Spring - Bearing Plate Mounting (5/16")
17	101-0405	2	*Bearing, Camshaft Front and Rear (Precision)	41	809-0035	1	Screw, Tapping, Pan Head Breather Clamp (#8 x 3/4")
18	509-0041	1	Seal, Bearing Plate	42	516-0141	2	*Pin, Gear Cover Alignment
19	516-0072	2	*Pin, Main Bearing Stop	43	110-3136	2	*Gasket, Intake Valve Guide
20	110-0445	5	Nut, Bearing Plate Stud (Special) Used On Early Models	44	104-0776	1	Shim, Crankshaft Thrust Bearing
21	123-0315	1	Valve, Breather Tube - Spec G Only				
22	120-0386	1	*Tube, Crankcase Oil				
23	110-0881	2	Valve, Intake				

\* - Parts Included in 110-0915 Cylinder Block Assembly.

# OIL SYSTEM



CS-1041

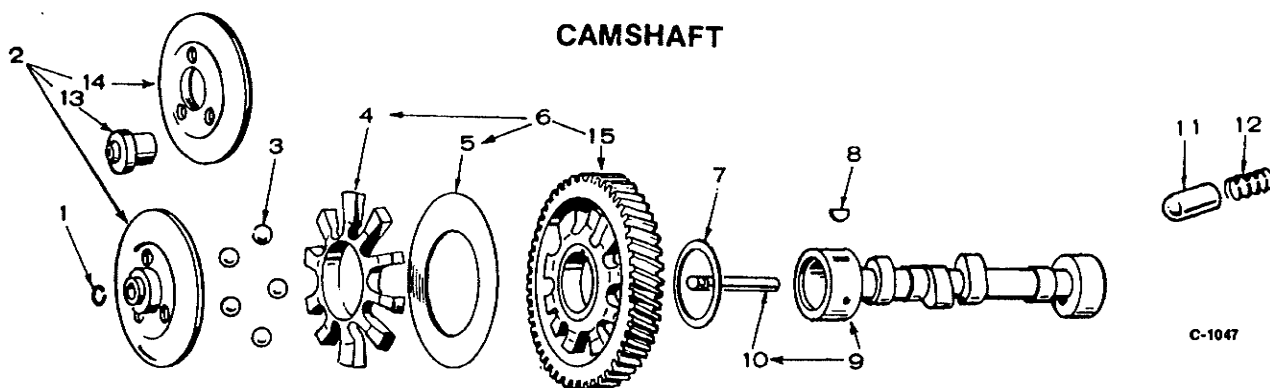
927-0404 (APRIL 1981)



## OIL SYSTEM

REF. NO.	PART NO.	QTY. USED	PART DESCRIPTION	REF. NO.	PART NO.	QTY. USED	PART DESCRIPTION
1	BASE, OIL			10	526-0066	1	Washer, Flat - Oil By-Pass (25/64"ID x 9/16"OD x 1/6"Thk)
	102-0468	1	Key 1	11	120-0140	1	Spring, Oil By Pass Valve
	102-0339	1	Key 2 - Spec G and H	12	120-0398	1	Valve, Oil By Pass
	102-0861	1	Key 2 - Begin Spec J	13	120-0161	1	Gasket Kit, Oil Pump
2	TUBE, OIL FILL			14	PLUG, OIL DRAIN		
	123-0508	1	Spec G and H		505-0110	1	Some Early Models (3/8")
	123-0674	1	Begin Spec J		505-0056	1	Late Models (1/2")
3	CAP AND INDICATOR, OIL FILL			15	102-0455	4	Screw, Cap - Hex Head Oil Base Mounting (Special)
	123-0506	1	Key 1 - Spec G and H	16	850-0050	4	Washer, Lock - Spring Oil Base Mounting (3/8")
	123-0762	1	Key 1 - Begin Spec J	17	800-0004	2	Screw, Cap - Hex Head - Oil Fill Tube Mounting (1/4-20 x 5/8" lg)
	123-0527	1	Key 2 - Spec G and H	18	850-0040	2	Washer, Lock - Spring Oil Fill Tube Mounting (1/4")
	123-0694	1	Key 2 - Begin Spec J	19	800-0007	2	Screw, Lock - Spring - Oil Pump Mounting (1/4-20 x 1" lg)
4	123-0191	1	Gasket, Oil Fill Cap	20	850-0040	2	Washer, Lock - Spring - Oil Pump Mounting (1/4")
5	102-0158	1	Gasket, Oil Base				
6	CUP, OIL PUMP INTAKE						
	120-0413	1	Key 1				
	120-0648	1	Key 2				
7	141-0078	1	Gasket, Oil Fill Tube Mounting				
8	120-0491	1	Pump, Oil (Internal Parts Not Sold Separately)				
9	801-0048	1	Screw, Cap - Hex Head Oil By- Pass (3/8-24 x 3/4" lg)				

## CAMSHAFT

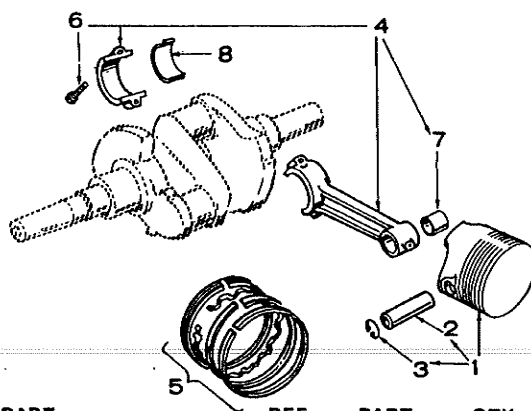


C-1047

REF. NO.	PART NO.	QTY. USED	PART DESCRIPTION	REF. NO.	PART NO.	QTY. USED	PART DESCRIPTION
1	150-0078	1	Ring, Camshaft Center Pin	10	150-0075	1	*Pin, Center - Camshaft
2	150-1695	1	Cup, Governor (Kit) (Includes Parts Marked **)	11	105-0058	1	Plunger, Camshaft Thrust (Manually Controlled Engine)
3	510-0015	5	Ball - Governor	12	105-0059	1	Spring, Camshaft Plunger (Manually Controlled Engine)
4	150-1257	1	†Spacer, Governor Fly Ball, Begin Serial #370369 During Spec H	13	150-1519	1	**Hub, Governor Cup
5	150-0077	1	†Plate, Governor Fly Ball, Begin Serial #370369 During Spec H	14	150-1520	1	**Cup and Bushing, Governor Cup
6	105-0332	1	Gear, Camshaft (Includes Parts Marked †)	15	105-0030	1	†Gear, Camshaft
7	105-0541	1	Washer, Camshaft Gear Thrust				
8	515-0001	1	Key, Camshaft Gear Mounting				
9	CAMSHAFT (Includes Center Pin)						
			KEY 1				
	105-0234	1	Spec G and H				
	105-0295	1	Begin Spec J				
	105-0238	1	Key 2				

\* - Parts Included in Camshaft Assembly.  
 \*\* - Parts Included in 150-1695 Governor Cup Kit.  
 † - Parts Included in 105-0332 Camshaft Gear Assembly.

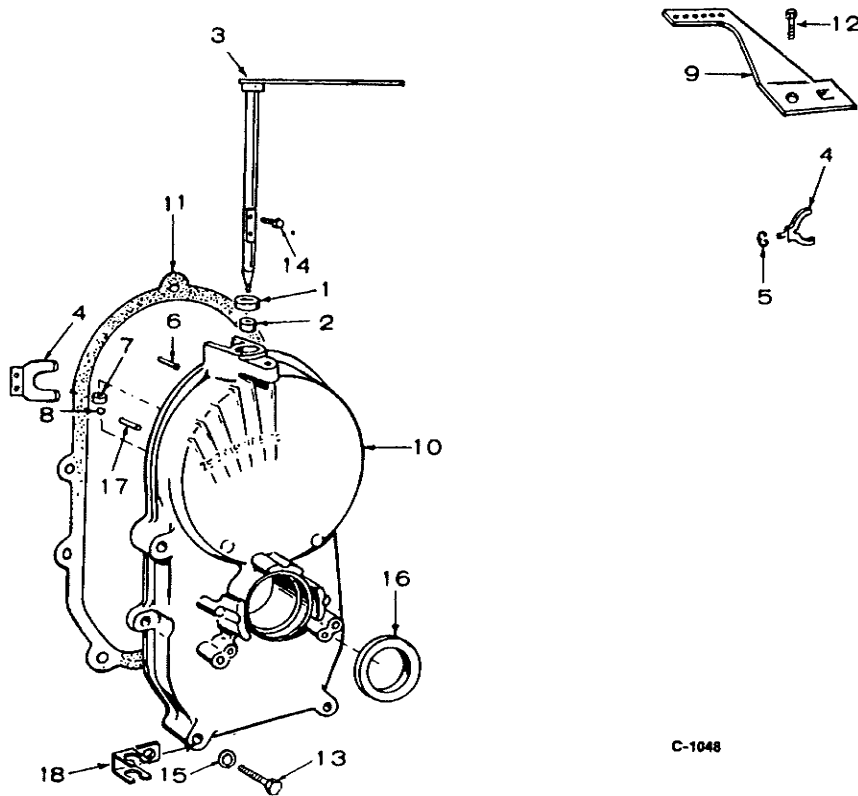
## PISTON AND ROD



REF. NO.	PART NO.	QTY. USED	PART DESCRIPTION	REF. NO.	PART NO.	QTY. USED	PART DESCRIPTION
1	PISTON AND PIN (Includes Retaining Rings) Piston Has Slotted Oil Ring Grooves (Top Groove 5/32" From Top of Piston) (Includes Parts Marked *)			5	RING SET, PISTON		
	112-0179	2	Standard		113-0153	2	Standard
	112-0179-05	2	.005" Oversize		113-0153-05	2	.005" Oversize
	112-0179-10	2	.010" Oversize		113-0153-10	2	.010" Oversize
	112-0179-20	2	.020" Oversize		113-0153-20	2	.020" Oversize
	112-0179-30	2	.030" Oversize		113-0153-30	2	.030" Oversize
	112-0179-40	2	.040" Oversize		113-0153-40	2	.040" Oversize
2	112-0069	2	Pin, Piston	6	805-0010	4	Bolt, Place - Connecting Rod
3	112-0003	4	*Ring, Piston Pin Retainer	7	114-0036	2	Bushing, Piston Pin - Connecting Rod
4	114-0203	2	Rod Assembly, Connecting (Forged) - Includes Bushing and Place Bolts	8	BEARING, CONNECTING ROD		
					114-0188	4	Standard
					114-0188-02	4	.002" Undersize
					114-0188-10	4	.010" Undersize
					114-0188-20	4	.020" Undersize
					114-0188-30	4	.030" Undersize

\* - Parts Included in 112-0179 Piston and Pin.

# GEARCASE



C-1048

REF. NO.	PART NO.	QTY. USED	PART DESCRIPTION
1	509-0008	1	†*Seal, Oil - Governor Shaft
2	510-0013	1	†*Bearing, Governor Shaft Upper (Spec J Use 2)
3	ARM & SHAFT ASSEMBLY, GOVERNOR		
	150-1422	1	†Begin Spec J
	150-1315	1	*Spec G and H
4	YOKE, GOVERNOR SHAFT		
	150-1187	1	†*Begin Spec J
	150-0620	1	Spec G and H
5	518-0129	1	Ring, Yoke Retainer - Spec G and H
6	516-0130	1	†*Pin, Governor Cup Stop
7	BEARING, GOVERNOR SHAFT - LOWER		
	510-0013	1	*Begin Spec J
	510-0008	1	*Spec G and H
8	510-0014	1	†*Ball, Bearing - Governor Shaft
9	EXTENSION, GOVERNOR ARM - STANDARD GOVERNORS ONLY		
	150-1000	1	Spec G Only
	150-1073	1	Begin Spec H

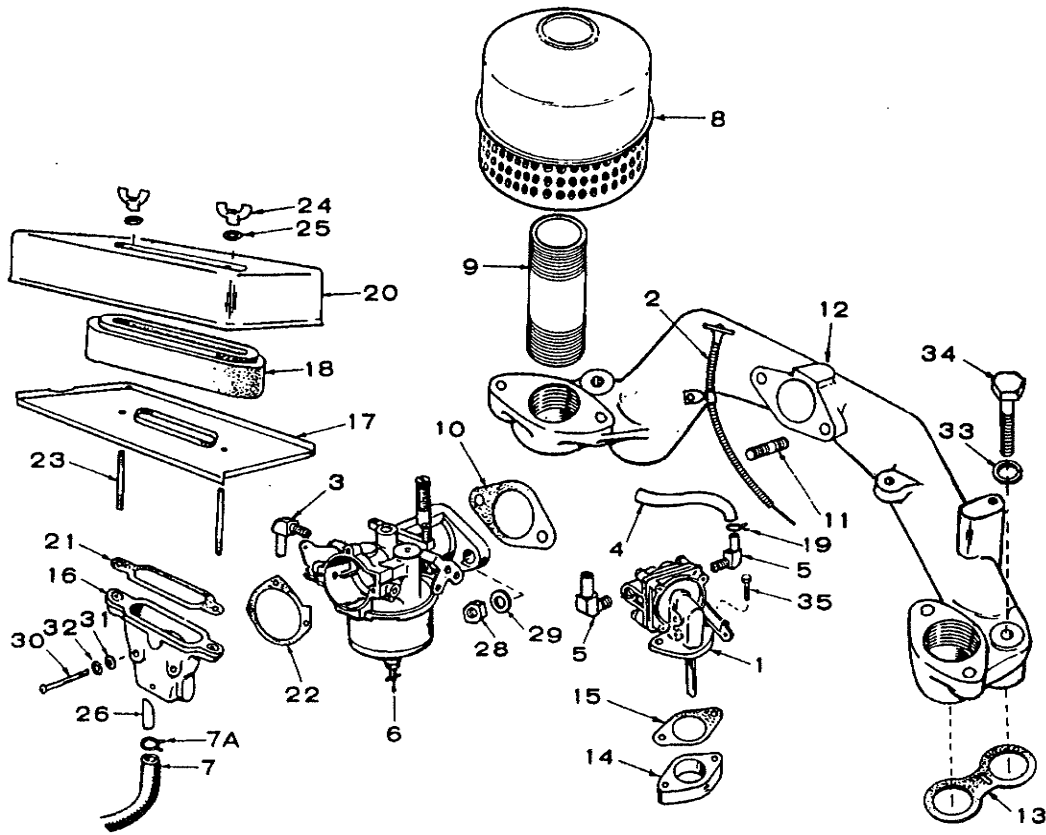
REF. NO.	PART NO.	QTY. USED	PART DESCRIPTION
10	COVER ASSEMBLY, GEAR		
	103-0655	1	Spec G and H (Includes Parts Marked *)
	103-0480	1	Begin Spec J (Includes Parts Marked †)
11	103-0011	1	Gasket, Gear Cover
12	815-0181	1	Screw, Cup - Hex Head with External Lock Washer (#10-32 x 1/2" lg)
13	SCREW, CAP-HEX HEAD		
	800-0034	1	5/16-18 x 2-1/4" lg
	800-0032	4	5/16-18 x 1-3/4" lg
14	815-0046	2	†*Screw, Machine - Pan Head Yoke Mounting (#8-32 x 3/8" lg) Begin Spec J
15	850-0045	5	Washer, Lock-Spring-Gear Cover Mounting (5/16")
16	509-0040	1	†*Seal, Gear Cover
17	516-0141	2	Pin, Gear Cover Alignment (5/16 x 1-1/8" lg)
18	167-0188	1	Clip, Oil Fill Mtg Tube

\* - Parts Included in 103-0655 Gear Cover Assembly.

† - Parts Included in 103-0480 Gear Cover Assembly.

927-0404 (APRIL 1981)

# FUEL SYSTEM



FS-1199

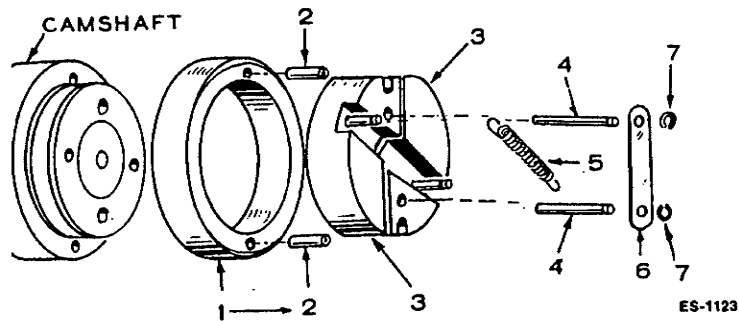
## FUEL SYSTEM

REF. NO.	PART NO.	QTY. USED	PART DESCRIPTION	REF. NO.	PART NO.	QTY. USED	PART DESCRIPTION
1	PUMP, FUEL - Includes Mounting Gasket (Includes Parts Marked †) (See Separate Group for Components)			15	149-0003	2	†Gasket, Fuel Pump Mounting
	149-1792	1	Key 1	16	ADAPTER, AIR CLEANER		
	149-1784	1	Key 2		140-0760	1	Spec G Only
2	149-1024	1	Rod, Fuel Pump Primer - Key 1		140-1304	1	Begin Spec H
3	ELBOW, CARBURETOR INLET			17	PAN, AIR CLEANER		
	502-0313	1	Begin Spec J		140-0828	1	Spec G Only
	502-0065	1	Spec G and H		140-0595	1	Begin Spec H
4	LINE, FUEL-PUMP TO CARBURETOR			18	140-0636	1	Element, Air Cleaner
	149-1025	1	Spec G Only - Metal	19	503-0301	2	Clamp, Fuel Pump to Carburetor Hose
	149-1097	1	Spec H Only - Metal	20	140-0594	1	Cover, Air Cleaner
	503-0669	1	Begin Spec J - Rubber	21	140-0584	1	Gasket, Air Cleaner
5	ELBOW, FUEL PUMP			22	GASKET, ADAPTER TO CARBURETOR		
	502-0313	2	Inlet and Outlet - Begin Spec J		140-0585	1	Spec G Only
	502-0002	1	Outlet - Spec G and H		140-1302	1	Begin Spec H
	502-0020	1	Inlet - Spec G and H		140-1087	1	Begin Spec J - Key 1
6	CARBURETOR, GASOLINE - MANUAL CHOKE Includes Mounting Gasket (See Separate Groups for Components) (Includes Parts Marked *)			23	520-0621	2	Stud, Air Cleaner
	141-0774	1	Spec G	24	865-0020	2	Nut (1/4-20) Wing
	141-0878	1	Begin Spec H	25	526-0063	2	Washer (1/4")
7	HOSE, BREATHER			26	123-0893	1	Tube, Adapter to Breather Hose
	503-0479	1	Spec G Only	27	526-0063	2	Washer, (Copper), Pump Mounting - Used on Early Models
	503-0546	1	Begin Spec H	28	868-0002	2	Nut (5/16-24) - Carburetor Mounting
7A	CLAMP, BREATHER HOSE			29	854-0017	2	Washer, Shakeproof - Carburetor Mounting (5/16")
	503-0170	1	5/8"	30	813-0108	2	Screw (10-32 x 1/2"), Round Head - Air Inlet to Carburetor
	503-0171	1	11/16"	31	526-0241	2	Washer (#10) - Flat Air Inlet Mounting
8	155-0916	2	Muffler, Exhaust	32	WASHER, LOCK		
9	505-0086	2	Nipple (1 x 2-1/2"), Exhaust		850-0030	2	Air Inlet Mounting (#10)
10	141-0281	1	*Gasket, Carburetor Mounting	33	850-0050	2	Intake Manifold Mounting (3/8")
11	520-0526	2	Stud, Carburetor Mounting	34	800-0057	2	Screw (3/8-16 x 2-3/4") - intake Manifold Mounting
12	154-1161	1	Manifold, Intake	35	806-0009	2	Screw, Counterbore - Fuel Pump Mounting
13	154-0013	2	Gasket, Intake Manifold to Cylinder Block		505-0008	2	†Plug (Not Shown)
14	149-0045	2	Spacer, Fuel Pump Mounting (Spec J - Use 1)				

\* - Parts Included in 141-0774/141-0878 Carburetor Kit.

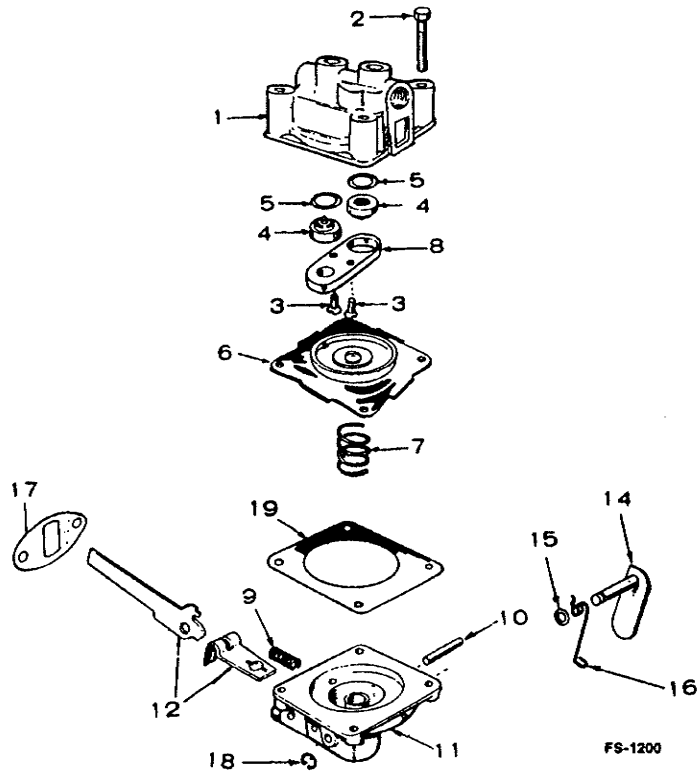
† - Parts Included in 149-1784/149-1792 Fuel Pump Kit.

## SPARK ADVANCE MECHANISM - KEY 1



REF. NO.	PART NO.	QTY. USED	PART DESCRIPTION	REF. NO.	PART NO.	QTY. USED	PART DESCRIPTION
1	160-0791	1	Cam, Timing Control	5	SPRING, TIMING CONTROL		
2	516-0144	4	Pin, Roll (7/16")	160-0727	1	Spec G and H	
3	WEIGHT ASSEMBLY (Includes Pins) - TIMING CONTROL			160-1051	1	Begin Spec J	
	160-0789	2	Magneto Ignition (Spec G and H)	6	160-0726	1	Retainer, Timing Control (Spec G and H)
	160-1049	2	Begin Spec J	7	RING, RETAINING - TIMING CONTROL		
	160-0790	2	Battery Ignition (Spec G and H)	518-0185	2	Spec G and H	
	160-1198	2	Begin Spec J	518-0129	2	Begin Spec J	
4	PIN, GROOVE - TIMING CONTROL						
	516-0146	2	Spec G and H				
	516-0172	2	Begin Spec J				

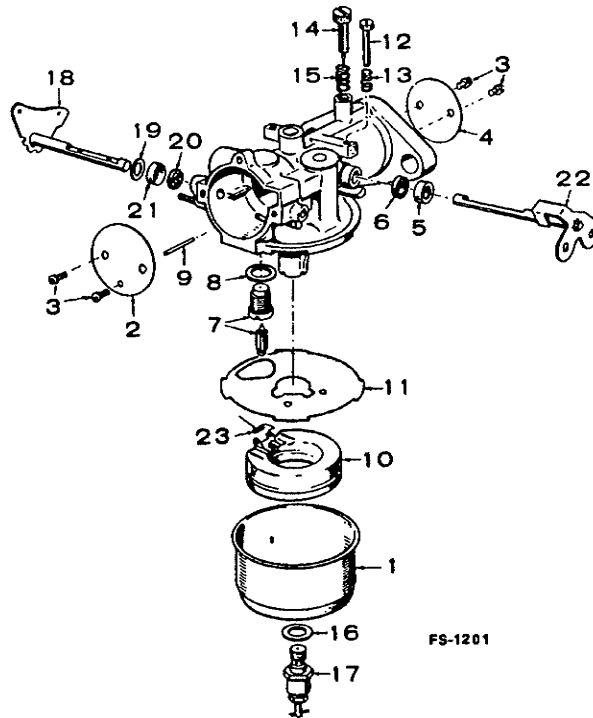
## FUEL PUMP PARTS



REF. NO.	PART NO.	QTY. USED	PART DESCRIPTION	REF. NO.	PART NO.	QTY. USED	PART DESCRIPTION
	PUMP, FUEL (Includes Mounting Gasket)			10	516-0113	1	Pin, Rocker Arm
	149-1792	1	Key 1	11		1	Body (Not Sold Separately)
	149-1784	1	Key 2	12	149-0710	1	Link and Arm, Rocker (Sold only as a set)
	149-0526	1	Kit, Fuel Pump Repair (Includes Parts Marked *)	14	LEVER, PRIMER		
	149-0003	1	*Gasket, Mounting	149-1042		1	Key 1
1		1	Body (Not Sold Separately)	149-0551		1	Key 2
2	815-0148	4	Screw (#8-32 x 7/8")	15	509-0065	2	Seal, "O" Ring
3	815-0147	2	Screw (#8-32 x 7/8")	16	SPRING, PRIMER LEVER		
			Phillips - Valve Retainer	149-1044		1	Key 1
4	149-0096	2	*Valve and Cage	149-0404		1	Key 2
5	149-0095	2	*Gasket, Valve	17	149-0003	1	*Gasket, Pump Mounting
6	149-0582	1	*Diaphragm Assembly	18	518-0129	1	Ring, Retainer - Primer Lever
7	149-0672	1	*Spring (Replaces 149-0093)	19	149-0858	1	*Gasket, Diaphragm - Lower Side
8	149-0539	1	Retainer, Valve Cage				
9	149-0675	1	*Spring (Replaces 149-0094)				

\* - Parts Included In 149-0526 Repair Kit.

## CARBURETOR PARTS - GASOLINE - BEGIN SPEC H



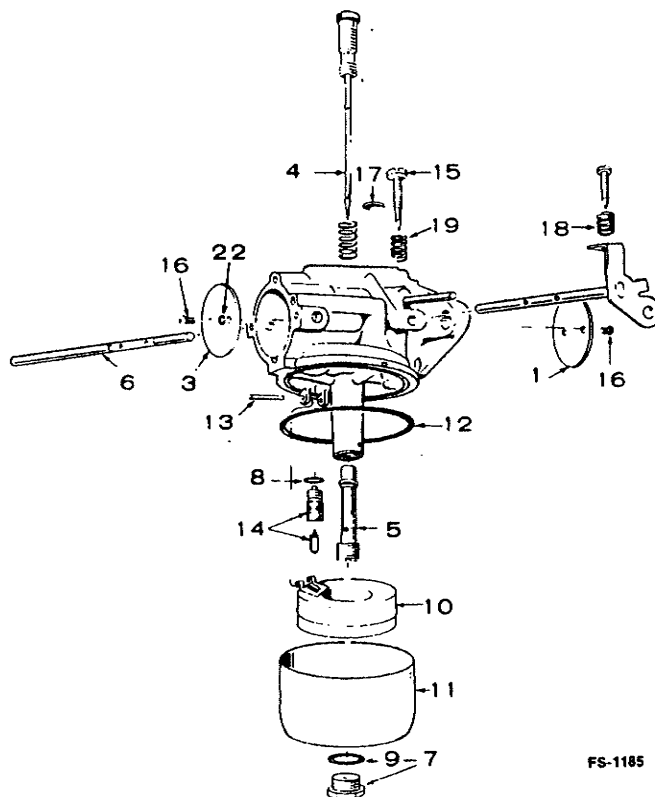
FS-1201

REF. NO.	PART NO.	QTY. USED	PART DESCRIPTION	REF. NO.	PART NO.	QTY. USED	PART DESCRIPTION
CARBURETOR, GASOLINE (Includes Mounting Gaskets)				11	141-0701	1	£*Gasket, Bowl to Body
	141-0878	1	Manual Choke	12	141-0700	1	Screw, Throttle Stop
	141-0747	1	Kit, Carburetor Repair (Includes Parts Marked *)	13	141-0711	1	Spring, Throttle Stop
	141-0748	1	Kit, Carburetor Gasket (Includes Parts Marked £)	14	NEEDLE, ADJUSTING 141-0713	1	Gasoline Units
	141-0281	1	£*Gasket Carburetor Flange	15	SPRING, IDLE NEEDLE		
1	141-0708	1	Bowl, Fuel	16	141-0077	1	£*Washer, Main Jet Assembly
2	141-0741	1	Plate, Choke	17	141-0712	1	Jet Assembly, Main (Adjustable)
3	141-0698	4	Screw & Washer, Choke and Throttle Plate Mounting	18	SHAFT, CHOKE 141-0742	1	Manual Choke Units
4	141-0706	1	Plate, Throttle	19	141-0699	1	Washer
5	141-0705	1	*Retainer, Seal	20	141-0697	1	£*Seal, Felt
6	141-0661	1	£*Seal, Rubber	21	141-0203	1	*Retainer, Felt Seal
7	141-0830	1	*Valve Seat Assembly, Fuel	22	141-0709	1	Shaft and Lever, Throttle
8	141-0811	1	£Washer, Fuel Valve Seat	23	141-0799	1	*Spring, Float
9	141-0703	1	*Shaft, Float				
10	141-0702	1	Float Assembly				

\* - Parts Included 141-0747 Carburetor Repair Kit.  
 £ - Parts Included 141-0748 Carburetor Gasket Kit.



## CARBURETOR - GASOLINE - SPEC G ONLY

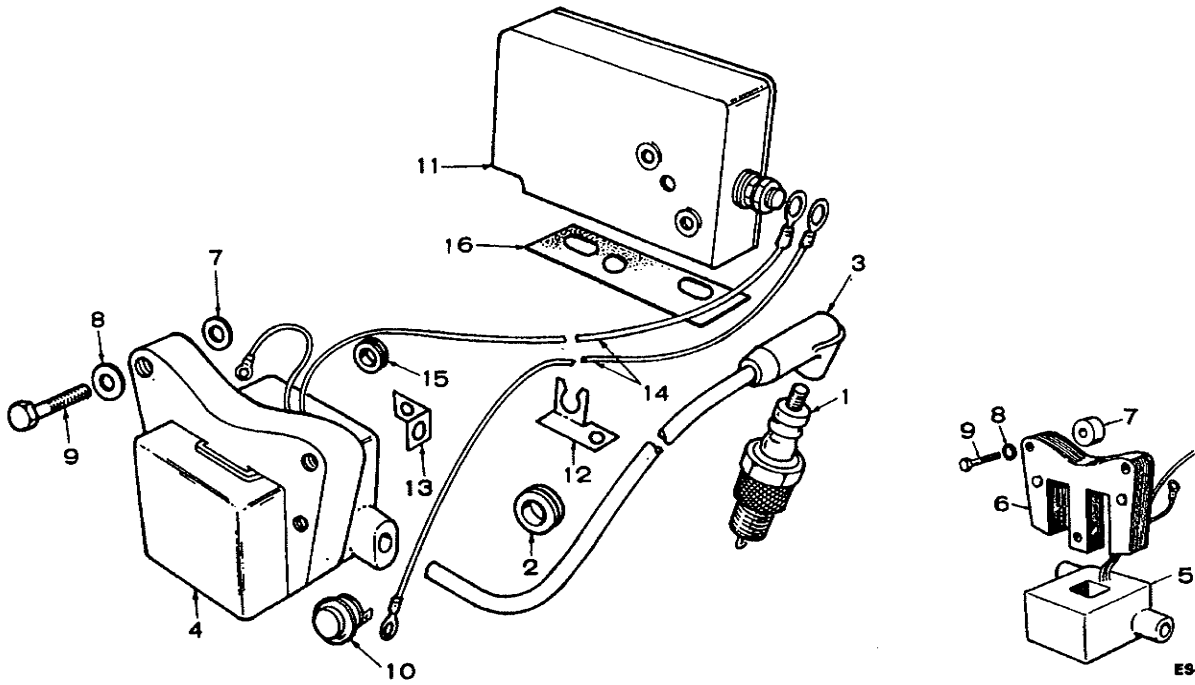


FS-1185

REF. NO.	PART NO.	QTY. USED	PART DESCRIPTION	REF. NO.	PART NO.	QTY. USED	PART DESCRIPTION
	CARBURETOR, GASOLINE (Includes Mounting Gasket)			10	143-0105	1	Float and Lever
	141-0774	1	Manual Choke	11	143-0210	1	Bowl
	143-0332	1	Kit, Carburetor Repair (Includes Parts Marked **)	12	143-0077	1	*Gasket, Bowl Ring
	143-0201	1	**Kit, Carburetor Gasket (Includes Parts Marked *)	13	141-0703	1	**Pin, Float Lever
	141-0281	1	*Gasket, Carburetor Flange	14	143-0341	1	**Valve, Fuel Inlet
1	143-0202	1	Valve, Throttle	15	143-0213	1	Screw, Idle Adjusting
3	143-0220	1	Valve, Choke - Manual Choke	16	812-0014	4	**Screw (#3-48 x 3/16") - Choke and Throttle Valve
4	143-0330	1	**Needle, Idle Jet and High Speed Adjusting	17	143-0110	1	Plug, Expansion
5	143-0329	1	**Nozzle	18	143-0214	1	Spring, Throttle Adjusting Screw
6	143-0221	1	Shaft and Lever, Choke	19	143-0112	1	Spring, Idle Adjusting Screw
7	143-0208	1	Screw and Gasket, Bowl	22	854-0003	4	**Washer, Lock (IT #3)
8	143-0015	1	*Gasket, Fuel Inlet Valve				
9	143-0209	1	*Gasket, Bowl Screw				

\* - Parts Included in 143-0201 Carburetor Gasket Kit.  
 \*\* - Parts Included In 143-0332 Carburetor Repair Kit.

## IGNITION SYSTEM (MAGNETO) - KEY 1



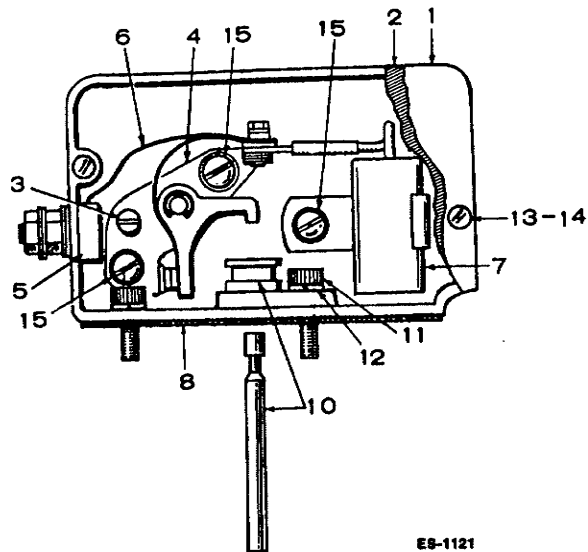
ES-1122

REF. NO.	PART NO.	QTY. USED	PART DESCRIPTION	REF. NO.	PART NO.	QTY. USED	PART DESCRIPTION
1	PLUG, SPARK			5	160-0750	1	*Coil, Magneto Stator
	167-0241	2	Non-Resistor Type	6	160-0749	1	*Pole Shoe, Magneto Stator
	167-0237	2	Resistor Type	7	526-0015	2	Washer, Flat (9/32" ID x 9/16" OD x 1/16" THK)
2	508-0095	2	Grommet, Rubber - Spark Plug Cables	8	526-0184	2	Washer, Flat (17/64" ID x 5/8" OD x #10 Gauge)
3	CABLE, SPARK PLUG			9	815-0259	2	Screw Cap - Hex Head (1/4-20 x 1-1/4" lg)
			Key 1	10	313-0018	1	Switch, Stop
	167-1404	1	Right Hand - Spec G and H	11	160-0257	1	Box Assembly, Breaker (See Separate Group for Complete Breakdown)
	167-1593	1	Right Hand - Begin Spec J	12	167-0188	4	Clip, Spark Plug Cable
	167-1403	1	Left Hand - Spec G and H	13	332-0273	1	Clip, Magneto Lead
	167-1594	1	Left Hand - Begin Spec J	14	334-0028	1	Lead, (4' pieces of wire)
			Key 1	15	508-0002	1	Grommet, Magneto Lead
	167-1073	1	Right Hand - Spec G and H	16	160-0043	1	Gasket, Ignition Breaker Box Mounting
	167-1593	1	Right Hand - Begin Spec J				
	167-1330	1	Left Hand - Spec G and H				
	167-1593	1	Left Hand - Begin Spec J				
4	160-0752	1	Stator Assembly, Magneto (Includes Parts Marked *)				

\* - Parts Included in 160-0752 Magneto Stator Assembly.

927-0404 (APRIL 1981)

## IGNITION BREAKER BOX

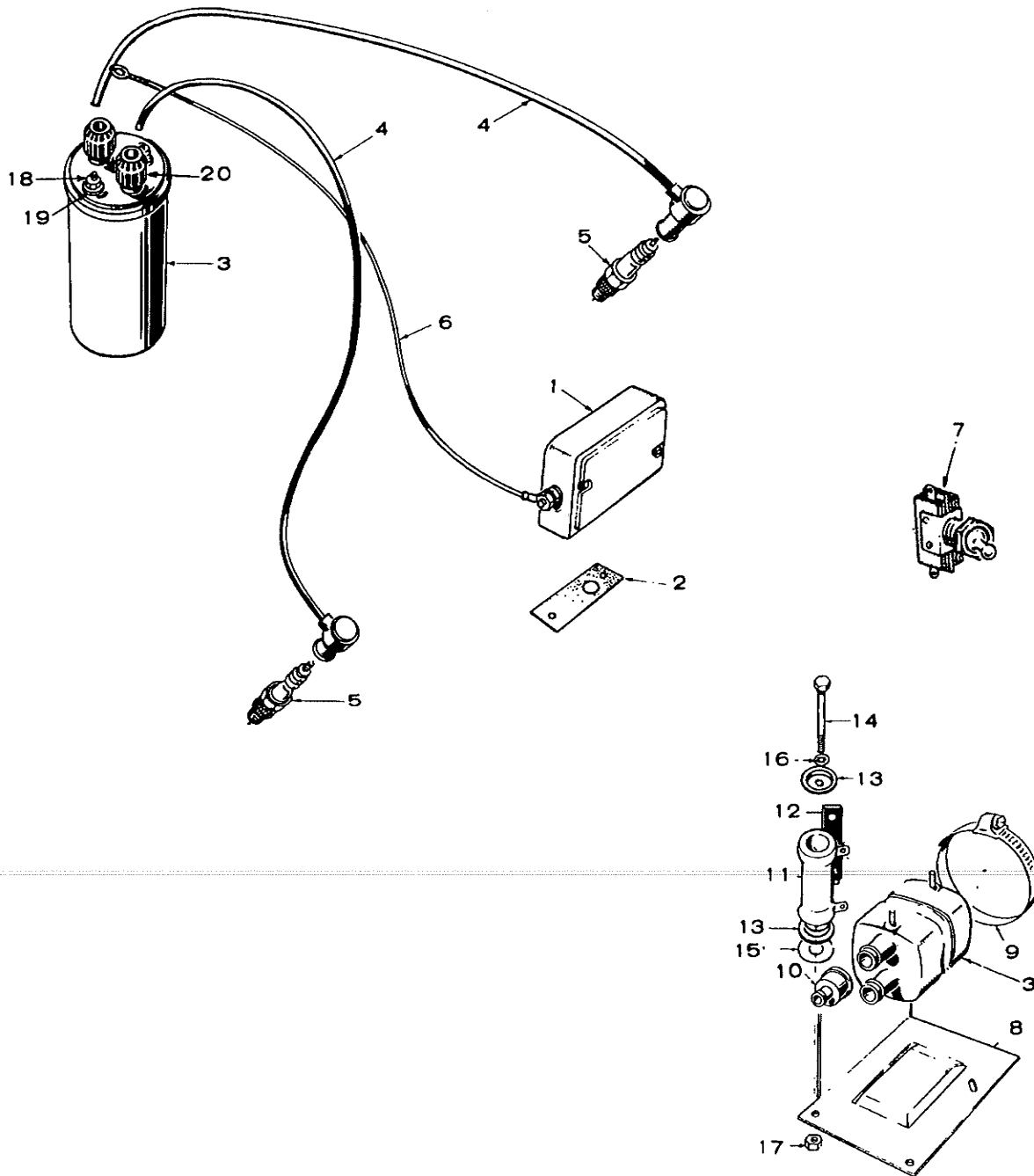


ES-1121

REF. NO.	PART NO.	QTY. USED	PART DESCRIPTION	REF. NO.	PART NO.	QTY. USED	PART DESCRIPTION
	160-0257	1	Box Assembly, Breaker - Complete (Includes Mounting Gasket, Washer and Screws) (Includes Parts Marked *)	7	312-0069	1	*Condenser, Ignition Points
1	160-0930	1	*Cover, Breaker Box	8	160-0043	1	*Gasket, Breaker Box Mounting
2	160-0150	1	*Gasket, Breaker Box Cover	10	160-0262	1	*Guide and Plunger, Ignition
3	160-0075	1	*Cam, Breaker Point Gap Adjusting	11	802-0034	2	*Screw, Cap - Socket Head (1/4-20 x 3/4" lg)
4	160-0002	1	*Point Set Breaker	12	850-0040	2	*Washer, Lock - Spring (1/4")
5	160-0349	1	*Block and Terminal Assembly	13	850-0025	2	*Washer, Lock - Spring (#8)
6	160-0428	1	*Strap, Point Set to Terminal Block	14	812-0077	2	*Screw, Machine - Round Head (#8-32 x 3/8" lg)
				15	518-0049	3	*Screw, Machine - Round Head W/External Tooth - (#8-32 x 1/4" lg)

\* - Parts Included in 160-0257 Breaker Box Assembly.

# IGNITION SYSTEM (BATTERY) - KEY 2



ES-1106

927-0404 (APRIL 1981)

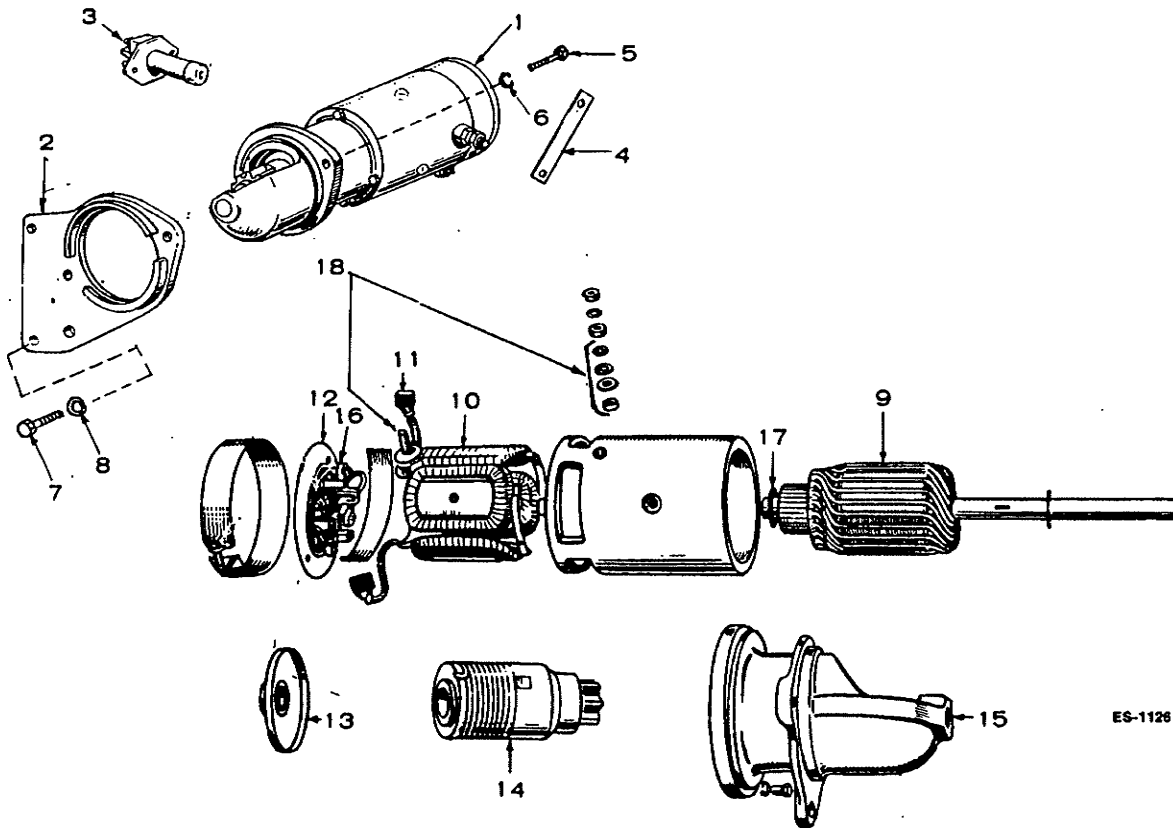
B6

## IGNITION SYSTEM (BATTERY) - KEY 2

REF. NO.	PART NO.	QTY. USED	PART DESCRIPTION	REF. NO.	PART NO.	QTY. USED	PART DESCRIPTION
1	160-0257	1	Box, Breaker - Complete (See Separate Group for Complete Breakdown of Components)	8	166-0402	1	Bracket, Coil Mounting - Spec G and H
2	160-0043	1	Gasket, Breaker Box Mounting	9	503-0514	1	Clamp, Coil - Spec G and H
3	COIL, IGNITION			10	160-0558	2	Nipple, Rubber Coil - Spec G and H
	166-0346	1	Spec G and H	11	304-0060	1	Resistor, Ignition - Spec G and H
	166-0535	1	Begin Spec J	12	304-0610	1	Support, Resistor Terminal - Spec G and H
4	CABLE, SPARK PLUG			13	304-0014	2	Washer, Resistor Mounting Spec G and H
	167-1404	1	Key 1 Spec G and H R/H	14	813-0112	1	Screw, Machine - Round Head Resistor Mounting Spec G and H (#10-32 x 2-1/2" lg)
	167-1073	1	Key 2 Spec G and H R/H				
	167-1403	1	Key 1 Spec G and H L/H	15	526-0179	1	Washer, Flat - Resistor Mounting (Spec G and H) (7/32" ID x 5/8" OD x 1/16" Thk)
	167-1330	1	Key 2 Spec G and H L/H	16	854-0010	1	Washer, Lock - Internal Shakeproof-Resistor Mounting Spec G and H (#10)
	167-1594	1	Key 1 Begin Spec J L/H	17	870-0053	1	Nut, Hex - Resistor Mounting Spec G and H (#10-32)
	167-1595	1	Key 2 Begin Spec J (24")	18	166-0554	1	*Nut, Hex (Special)
	167-1593	1	Key 1 Begin Spec J R/H	19	850-2005	1	*Washer, Lock (MS)
	167-1596	1	Key 2 Begin Spec J (15")	20	166-0604	2	Nut, Ignition Coil
5	SPARK PLUG, IGNITION						
	167-0241	2	Non-Resistor Type				
	167-0237	2	Resistor Type				
	166-0702	1	Kit, Lead Replacement (Includes Parts Marked *)				
6	336-4414	1	*Lead Assembly, Coil to Breaker Box - Begin Spec J				
7	308-0002	1	Switch, Ignition On/Off				

\* - Parts Included in 166-0702 Lead Replacement Kit.

## STARTER - SPEC G AND H

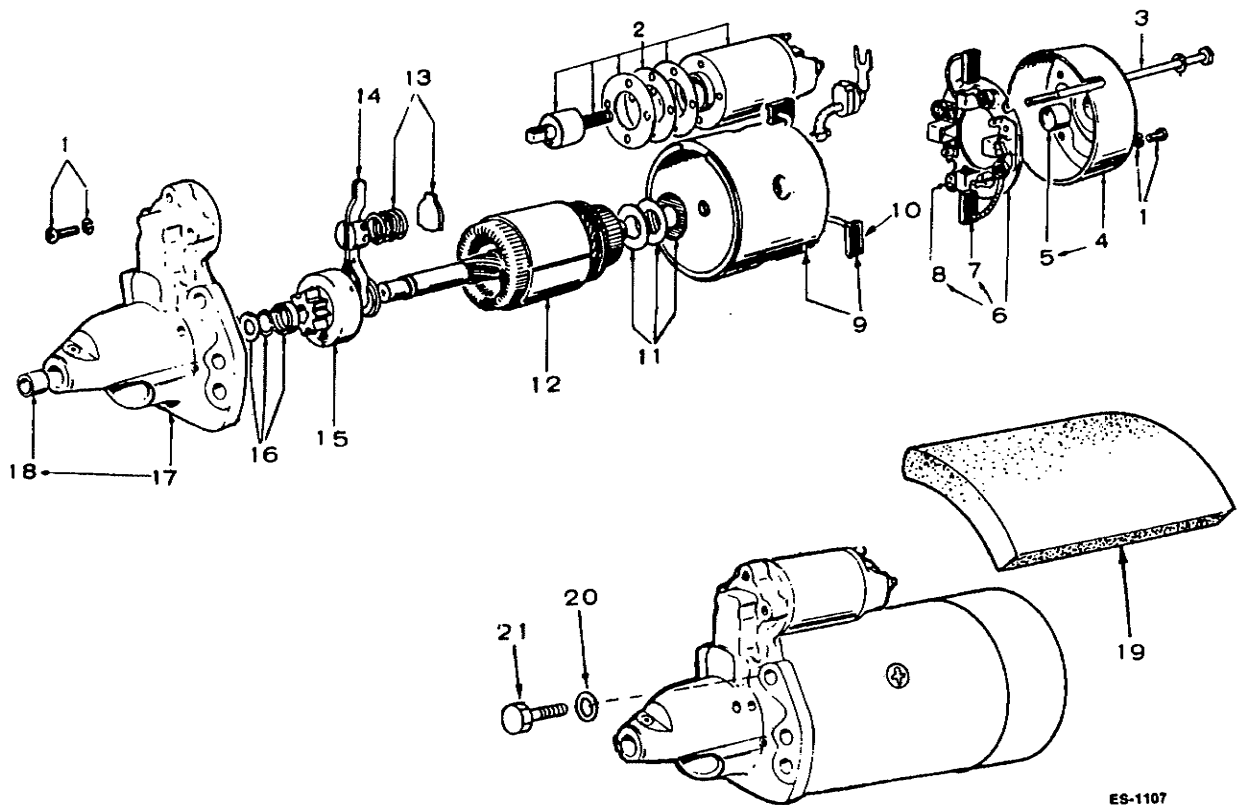


ES-1126

REF. NO.	PART NO.	QTY. USED	PART DESCRIPTION	REF. NO.	PART NO.	QTY. USED	PART DESCRIPTION
1	191-0511	1	Starter Motor - (Includes Parts Marked *)	9	191-0517	1	*Armature
2	191-0508	1	Flange, Starter Motor Mounting	10	191-1017	1	*Coil Assembly Package, Field
3	308-0028	1	Switch, Start	11	191-0513	1	*Brush Set, Service
4	332-0570	1	Jumper, Starter to Switch	12	191-1018	1	*Head Assembly, Commutator End Band, Cover (Not Sold Separately)
5	SCREW, CAP-HEX HEAD-STARTER MOTOR MOUNTING			13	191-1019	1	*Bearing Assembly, Intermediate
	800-0049	1	3/8-16 x 7/8" lg	14	191-0271	1	*Drive Assembly, Bendix
	800-0050	1	3/8-16 x 1" lg	15	191-0735	1	*Bearing, Drive End
6	850-0050	2	Washer, Lock - Spring Starter Motor Mounting (3/8")	16	191-1020	1	*Spring, Brush (Set of 4)
7	102-0455	3	Screw, Cap - Hex Head - Starter Motor Flange Mounting	17	191-1021	1	*Washer, Armature Thrust (pkg.) Use as required
8	850-0050	3	Washer, Lock - Spring - Starter Motor Flange Mounting (3/8")	18	191-1022	1	*Stud, Terminal (pkg)

\* - Parts Included in 191-0511 Starter Motor

## STARTER - BEGIN SPEC J



ES-1107

REF. NO.	PART NO.	QTY. USED	PART DESCRIPTION	REF. NO.	PART NO.	QTY. USED	PART DESCRIPTION
	191-1052	1	Starter (Includes Parts Marked *)	10	191-1005	2	*Brush, Starter (Positive)
1	191-1011	1	*Screw & Washer Set	11	191-0997	1	*Insulating, Washer Set
2	191-0987	1	*Solenoid Assembly	12	191-1088	1	*Armature, Starter
3	191-0988	2	*Bolt - Hex Washer Head	13	191-0984	1	*Plate & Spring Set
4	191-1009	1	*Bracket, Rear - Starter (Includes Rear Sleeve Bearing)	14	191-0983	1	*Lever, Clutch
5	191-1010	1	*Bearing, Sleeve (Rear)	15	191-1087	1	*Clutch & Pinion Gear
6	191-1006	1	*#Holder, Brush (Includes Negative Brush and Brush Springs) (Includes Parts Marked Δ)	16	191-0991	1	*Stop Retaining Set - Pinion Gear
7	191-1008	1	#Δ*Brush, Starter (Negative)	17	191-1086	1	*Bracket, Front - Starter (Includes Front Sleeve Bearing)
8	191-1007	3	#Δ*Spring, Helical, Compression (Brush)	18	191-0971	1	*Bearing, Sleeve (Front)
9	191-1089	1	*Yoke Assembly, (Includes Frame, Pole Shoes, Field Coil and Replaceable Positive Brushes)	19	191-1076	1	Seal, Air Begin Spec J
				20	850-0050	2	Washer, Lock - Spring - Starter Mounting
				21	800-0050	2	Screw, Cap - Hex Head - Starter Motor Mounting (3/8-16 x 1")

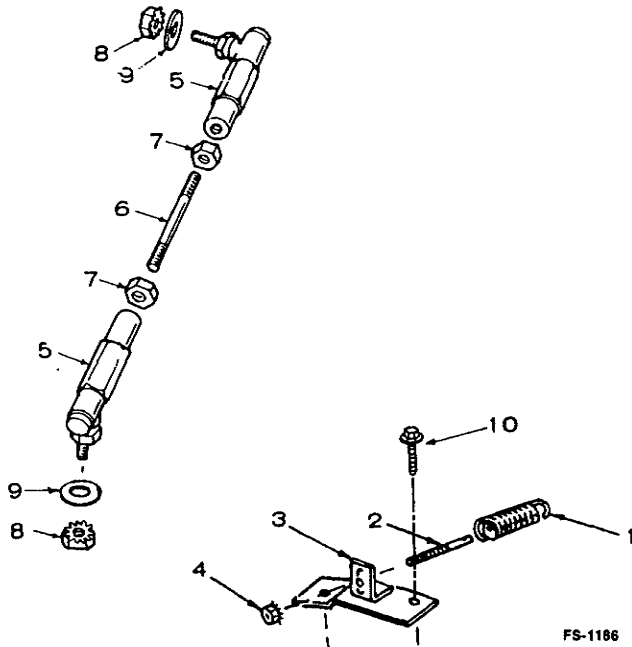
# - Early Brush Holder equipped with Two (2) Negative Brushes and Four (4) Brush Springs-Completely Interchangeable with Current Brush Holder.

\* - Parts Included in 191-1052 Starter Motor

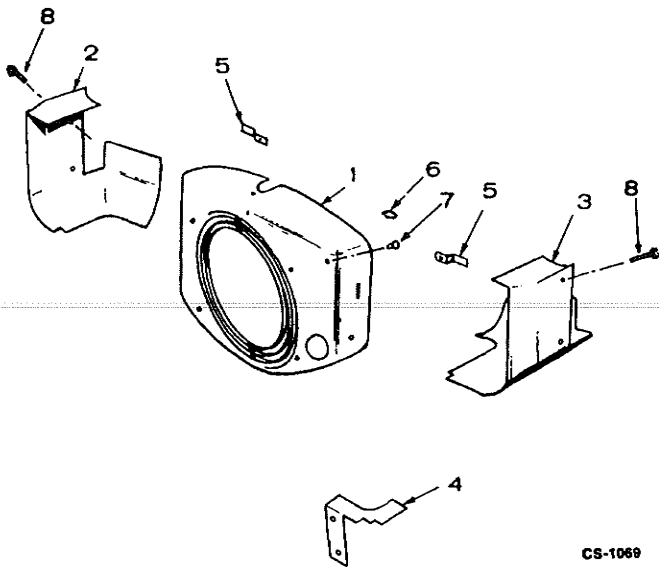
Δ - Parts Included in 191-1006 Brush Holder Assembly.

## GOVERNOR

REF. NO.	PART NO.	QTY. USED	PART DESCRIPTION
1	150-0098	1	Spring, Governor
2	150-1023	1	Stud, Speed Adjustment
3	150-1262	1	Bracket, Speed Stud
4	870-0131	1	Nut, Speed Adjusting (#10-32)
5	JOINT, BALL		
	150-0974	2	Spec G Only
	150-0939	2	Begin Spec H through Serial #540766 During Spec H-Plastic
	150-0639	2	Begin Serial #540767 During Spec H - Metal
6	LINK, THROTTLE		
	520-0187	1	Spec G and Begin Serial #540767 During Spec H
	520-0623	1	Begin Spec H through Serial #540766 During Spec H
7	870-0053	2	Palnut, Locking
8	870-0131	2	Nut, Keps - Locking Ball Joint (#10-32)
9	526-0196	2	Washer, Flat - Ball Joint (7/32" ID x 7/16" OD x 1/8" Thk)
10	821-0010	1	Screw, Self Lock - Hex Washer Head (1/4-20 x 1/2")



## AIR HOUSING



REF. NO.	PART NO.	QTY. USED	PART DESCRIPTION
1	HOUSING, BLOWER		
			Key 1
	134-1579	1	Spec G and H
	134-2830	1	Begin Spec J
			Key 2
	134-1596	1	Spec G and H
	134-2826	1	Begin Spec J
2	134-0589	1	Housing, Cylinder Air - Left
3	HOUSING, CYLINDER AIR (Right)		
	134-0588	1	Key 1
			Key 2
	134-0674	1	Spec G and H
	134-2791	1	Begin Spec J
4	134-0670	1	Baffle, Air - Key 2 Spec G and H
5	CLIP, HOUSING-CYLINDER AIR		
	134-0599	1	Right Side
	134-2108	1	Left Side
6	508-0095	2	Grommet, Blower Housing
7	313-0018	1	Button Stop - Begin Spec J - Key 1
8	815-0261	4	Screw, Cap - Hex Head (1/4-20 x 1/2")



## SERVICE KITS AND MISCELLANEOUS

NOTE: For other kits, refer to the group for the part in question.

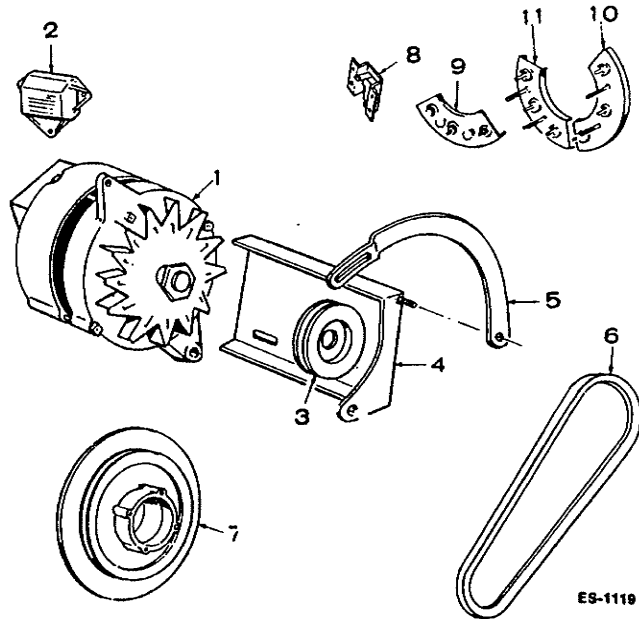
REF. NO.	PART NO.	QTY. USED	PART DESCRIPTION
	98-1100	1	Decal Kit, Set
	160-0836	1	Ignition Tune-up Kit
	168-0103	1	Gasket Kit, Complete Engine
	168-0095	1	Gasket Kit, Carbon Removal
	ENGINE OVERHAUL KIT		
	522-0225	1	Spec G Only
	522-0239	1	Begin Spec H
	TOUCH-UP PAINT (Pressurized Can)		
	525-0137	1	Metallic Green (13 oz.)
	525-0305	1	Non-Metallic Green (13 oz.)
	525-0454	1	Greige Enamel (13 oz.)

## OPTIONAL EQUIPMENT SECTION

This section contains parts listing of factory installed options.  
NOTE: options may not be applicable to all models; for field installations, additional parts are usually required.

## OPTION 1 ALTERNATOR (AUTOMOTIVE TYPE - LEFT SIDE MOUNTING)

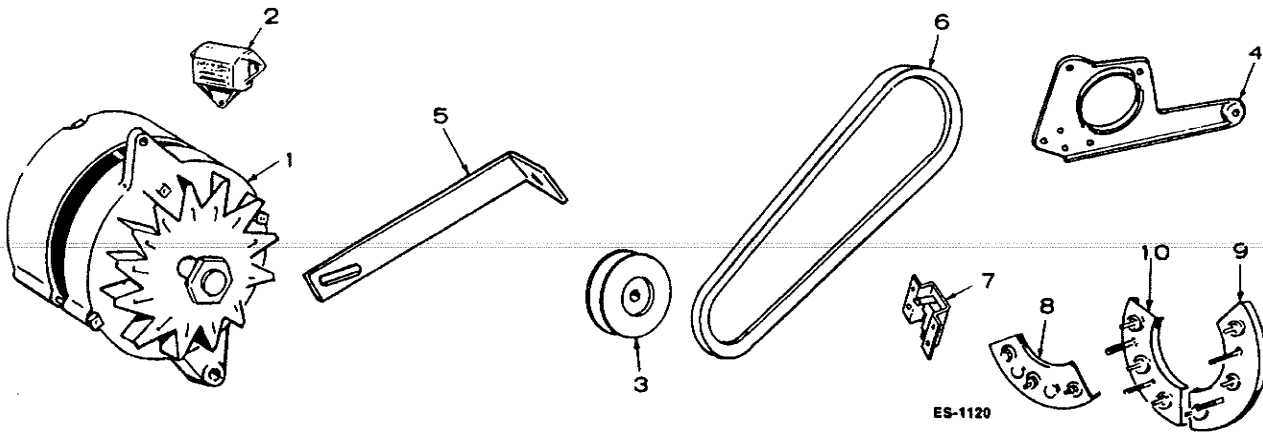
REF. NO.	PART NO.	QTY. USED	PART DESCRIPTION
1	191-1233	1	*Alternator Assembly (Includes Parts Marked †) (35 Ampere, 12 Volt)-Motorola #RA-12NON451
	191-1232	1	†Alternator, 35 Amp
2	191-1243	1	†Regulator, Voltage
3	191-0623	1	†Pulley, Alternator
4	BRACKET, ALTERNATOR MOUNTING		
	191-0537	1	Pressure Cooled Engine
	191-0539	1	Vacu-Flo Cooled Engine
5	191-0535	1	Bracket, Alternator Adjusting
6	511-0051	1	Belt, Drive
7	191-0134	1	Pulley, Drive - Vacu-Flo Cooled Engine
8	191-0659	1	Brush and Holder Assembly (Part of 191-0573 Alternator)
9	191-0671	1	Diode Assembly, Isolation (Part of 191-0573 Alternator)
10	191-0662	1	Diode Assembly, Rectifier - Negative (Part of 191-0573 Alternator)
11	191-0661	1	Diode Assembly, Rectifier - Positive (Part of 191-0573 Alternator)



\* - For components not listed, check alternator nameplate and contact your nearest Motorola dealer.

† - Parts Included in 191-1233 Alternator Assembly.

## OPTION 2 ALTERNATOR (AUTOMOTIVE TYPE - RIGHT SIDE MOUNTING)



REF. NO.	PART NO.	QTY. USED	PART DESCRIPTION
1	191-1233	1	*Alternator Assembly (Includes Parts Marked †) (35 Ampere, 12 Volt)-Motorola #RA-12NON451
	191-1232	1	†Alternator, 35 Amp
2	191-1243	1	†Regulator, Voltage
3	191-0623	1	†Pulley, Alternator
4	191-0575	1	Bracket, Alternator and Starter Mounting
5	191-0576	1	Bracket, Alternator Adjusting
6	511-0076	1	Belt, Drive
7	191-0659	1	Brush and Holder (Part of 191-0573 Alternator)

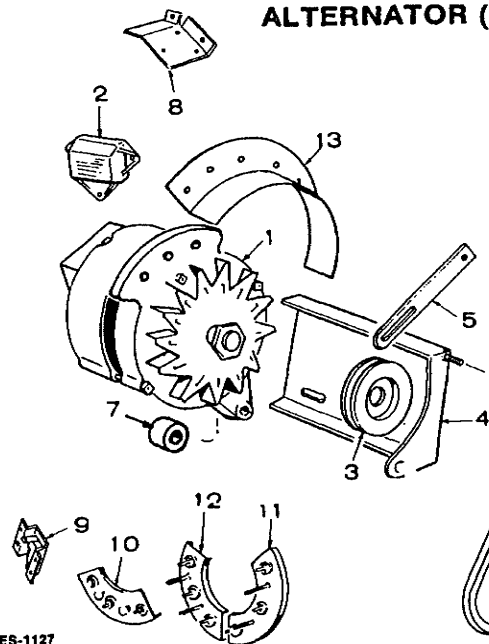
REF. NO.	PART NO.	QTY. USED	PART DESCRIPTION
8	191-0671	1	Diode Assembly, Isolation (Part of 191-0573 Alternator)
9	191-0662	1	Diode Assembly, Rectifier - Negative (Part of 191-0573 Alternator)
10	191-0661	1	Diode Assembly, Rectifier - Positive (Part of 191-0573 Alternator)

\* - For components not listed, check alternator nameplate and contact your nearest Motorola dealer.

† - Parts Included in 191-1233 Alternator Assembly.

**C2**

### OPTION 3 ALTERNATOR (AUTOMOTIVE TYPE - TOP MOUNTING)



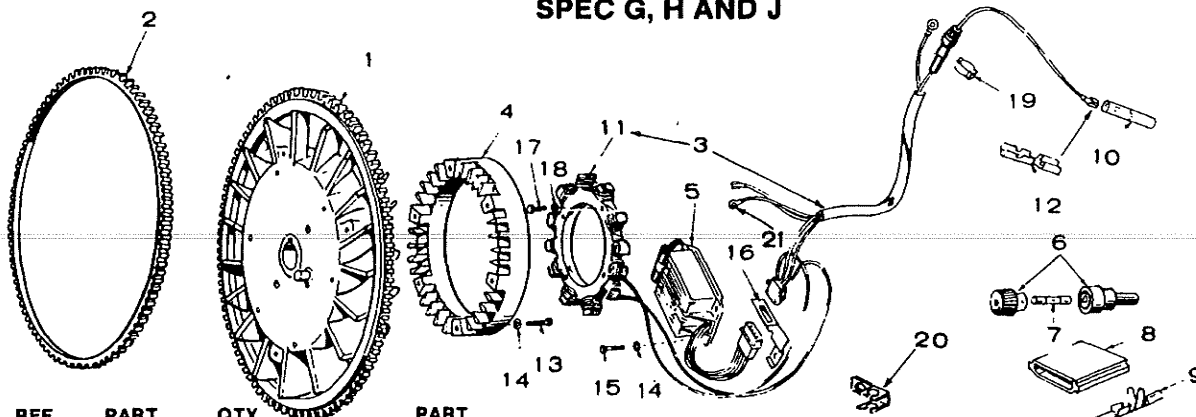
5	BRACKET, ALTERNATOR ADJUSTING		
191-1168	1	Pressure Cooled Engines - Begin Serial Number 992673 During Spec J	
191-0637	1	Pressure Cooled Engines - Spec A through Serial Number 992673 During Spec J	
191-0637	1	Vacu-Flo Cooled Engines	
6	BELT, DRIVE		
511-0090	1	Pressure Cooled Engines - Begin Serial Number 992673 During Spec J	
511-0067	1	Pressure Cooled Engines - Spec A through Serial Number 992673 During Spec J	
511-0067	1	Vacu-Flo Cooled Engines	
7	191-0640	1	Spacer, Alternator Bracket
8	191-0638	1	Bracket, Regulator Mounting
9	191-0659	1	Brush and Holder Assembly (Part of 191-0543 Alternator)
10	191-0663	1	Diode Assembly, Isolation (Part of 191-0543 Alternator)
11	191-0662	1	Diode Assembly, Rectifier - Negative (Part of 191-0543 Alternator)
12	191-0661	1	Diode Assembly, Rectifier - Positive (Part of 191-0543 Alternator)
13	191-0725	1	Guard, Belt

ES-1127

REF. NO.	PART NO.	QTY. USED	PART DESCRIPTION
1	191-0543	1	*Alternator (35 Ampere, 12 Volt) - Motorola #A12N-451
2	191-0642	1	*Regulator, Voltage
3	191-0623	1	Pulley, Alternator
4	191-0636	1	Bracket, Alternator Mounting

\* - For Components not listed, check alternator nameplate and contact your nearest Motorola dealer.

### OPTION 4 FLYWHEEL ALTERNATOR (20 AMP WICO) - KEY 2 SPEC G, H AND J



REF. NO.	PART NO.	QTY. USED	PART DESCRIPTION
1	134-1895	1	Flywheel (Includes Ring Gear)
2	134-0673	1	Gear, Ring - Flywheel
3	191-0740	1	Stator Assembly (Includes Parts Marked *)
4	191-0400	1	Rotor
5	305-0478	1	Regulator - Rectifier Assembly
6	321-0165	1	*Holder Assembly, Fuse
7	321-0162	1	*Fuse - 30 Amp.
8	323-0759	1	*Connector, Socket Housing
9	323-0488	4	*Socket, Connector
10	332-0556	1	*Connector, Faston
11	191-0724	1	*Stator Only
12	332-0529	1	*Terminal, Faston - Male

13	812-0156	6	Screw, Machine - Round Head (1/4-20 x 1-1/2")
14	850-0040	9	Washer, Lock - Spring (1/4")
15	800-0006	3	Screw, Cap - Hex Head (1/4-20 x 7/8")
16	332-1358	1	Bracket, Connector Mounting
17	813-0108	3	Screw, Machine - Round Head (#10-32 x 1/2")
18	850-0030	3	Washer, Lock - Spring (#10)
19	321-0169	1	Clip, Fuse Holder
20	167-0188	2	Clip, Stator Leads
21	332-0325	1	Terminal (#10)

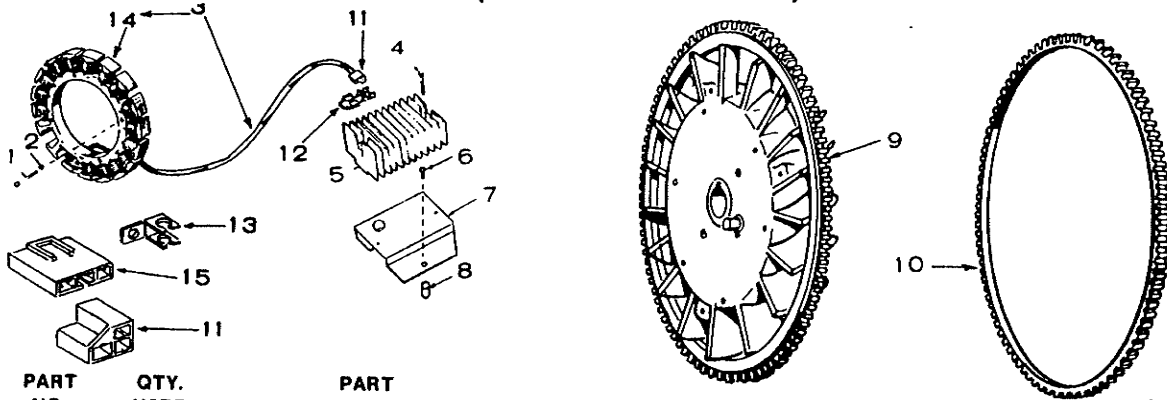
- Parts Included in 191-0740 Stator Assembly.

CS-1070

**C3**

927-0404 (APRIL 1981)

## OPTION 5 FLYWHEEL ALTERNATOR (15 AMPERE PHELON) - KEY 2 - BEGIN SPEC J

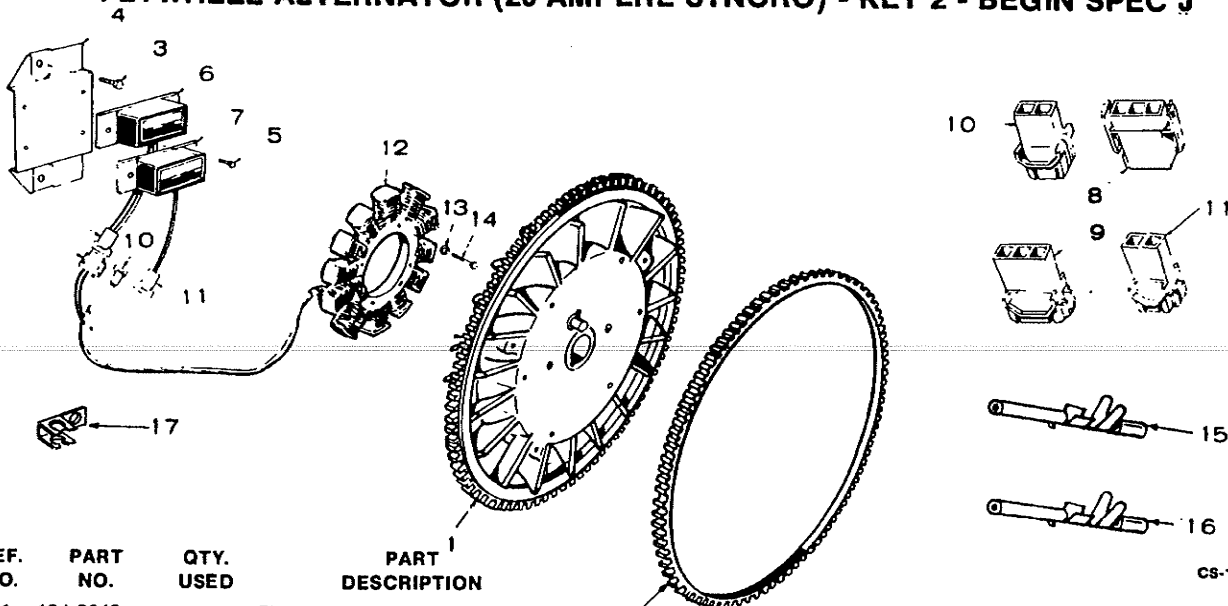


REF. NO.	PART NO.	QTY. USED	PART DESCRIPTION
1	813-0143	3	Screw, Machine - Round Head Cross Recessed (#10-32 x 1-3/8")
2	850-0030	3	Washer, Lock - Spring (#10)
3	191-1256	1	Stator Assembly (Includes Parts Marked *)
4	821-0018	2	Screw, Cap-Hex Head - Self Locking (1/4-20 x 5/8")
5	191-0886	1	Regulator, Voltage
6	821-0012	2	Screw, Cap - Hex Head - Self Locking (1/4-20 x 1-1/8")
7	191-1107	1	Bracket, Regulator Mounting
8	134-2100	2	Spacer, Regulator Mounting
9	134-2621	1	Flywheel (Includes Ring Gear)
10	134-0673	1	Gear, Ring - Flywheel
11	323-0853	1	*Body, Connector
12	332-2073	3	*Terminal
13	167-0188	2	Clip, Stator Leads
14	191-1254	1	*Stator Only
15	323-1075	1	*Body, Connector

CS-1071

\* - Parts Included in 191-1256 Stator Assembly.

## OPTION 6 FLYWHEEL ALTERNATOR (20 AMPERE SYNCRO) - KEY 2 - BEGIN SPEC J

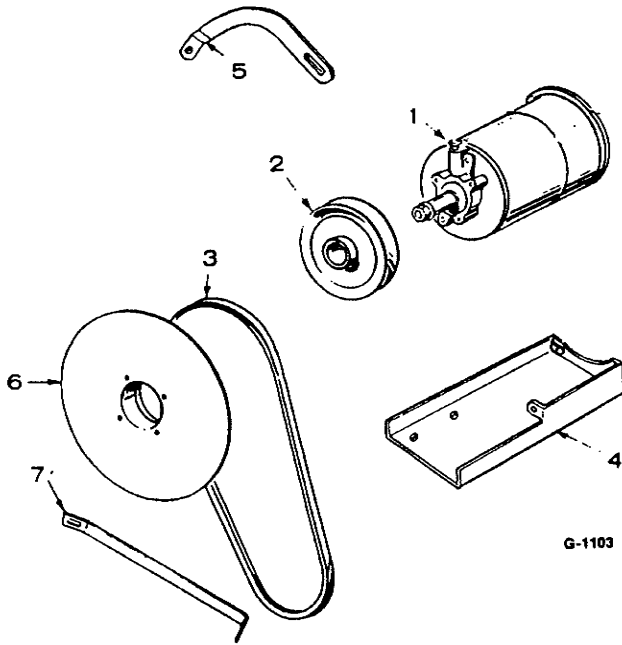


REF. NO.	PART NO.	QTY. USED	PART DESCRIPTION
1	134-2642	1	Flywheel (Includes Ring Gear)
2	134-0673	1	Gear, Ring - Flywheel
3	821-0010	2	Screw, Cap - Hex Head Locking (1/4-20 x 1/2")
4	191-1107	1	Bracket, Regulator and Rectifier Mounting
5	815-0181	4	Screw, Cap - Hex Head W/ET Lockwasher (#10-32 x 5/16")
6	191-0938	1	Rectifier, Current
7	191-0939	1	Regulator, Voltage
8	323-0882	1	Plug, Connector (3 Female Contacts)
9	323-0881	1	Cap, Connector (3 Male Contacts)
10	323-0879	1	Cap, Connector (2 Male Contacts)
11	323-0880	1	Plug, Connector (2 Female Contacts)
12	191-0937	1	Stator, Alternator
13	850-0030	3	Washer, Lock - Spring (#10)
14	813-0108	3	Screw, Machine - Round Head Cross Recessed (#10-32 x 1-1/4")
15	323-0488	5	Contact, Connecting - Female
16	323-0496	5	Contact, Connecting - Male
17	167-0188	2	Clip, Stator Leads

CS-1072

C4

## OPTION 7 GENERATOR(AUTOMOTIVE TYPE)



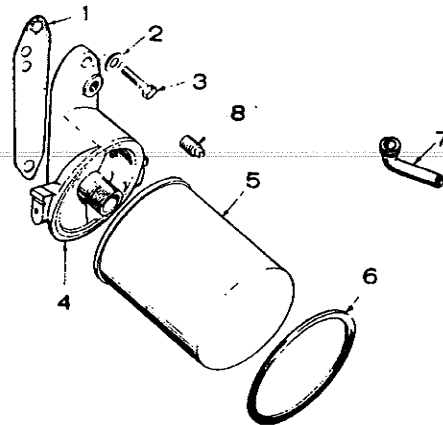
REF. NO.	PART NO.	QTY. USED	PART DESCRIPTION
1	191-0277	1	Generator
2	191-0229	1	Pulley, Generator
3	511-0051	1	Belt, Generator Drive
4	BRACKET, GENERATOR MOUNTING		
	191-0279	1	Pressure Cooled
	191-0304	1	Vacu-flo Cooled
5	191-0280	1	Bracket, Generator Adjustin
6	191-0134	1	Pulley, Generator Drive - Vacu-flo Cooled
7	191-0305	1	Brace, Generator Mounting Bracket - Vacu flo Cooled

† - For components, check nameplate and contact your nearest Delco Remy Dealer.

G-1103

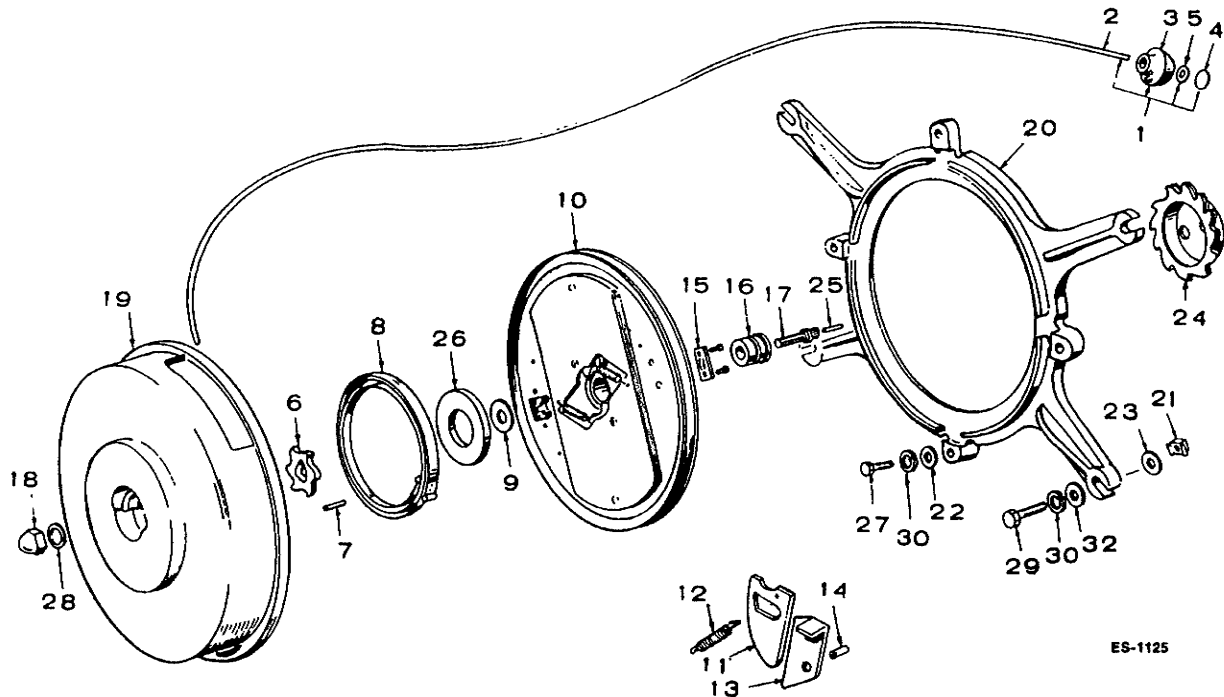
## OPTION 8 OIL FILTER

REF. NO.	PART NO.	QTY. USED	PART DESCRIPTION
1	122-0321	1	Gasket
2	526-0065	2	Washer, Flat - Copper (21/64" ID x 9/16" OD x 1/16" Thk)
3	800-0028	2	Screw, Cap - Hex Head (5/16-18 x 1")
4	122-0320	1	Adapter, Filter
5	122-0323	1	Filter, Spin-On
6	122-0347	1	Seal, Air
7	122-0345	1	Tube, Oil Drain
8	505-0057	1	Plug, Adapter Outlet (1/8")



927-0404 (APRIL 1981)

## OPTION 9 READI-PULL STARTER - KEY 1



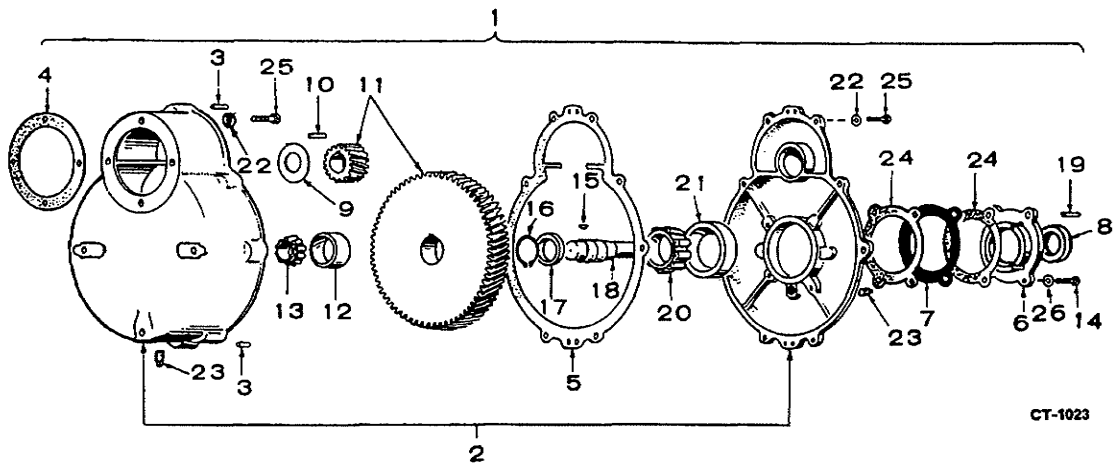
ES-1125

REF. NO.	PART NO.	QTY. USED	PART DESCRIPTION
KIT, STARTER-COMLETE			
	192-0325	1	Begin Spec E (Includes Parts Marked †)
	192-0215	1	Specs A through D (Includes Parts Marked Δ)
1	192-0045	1	†ΔRope and Grip Assembly (Includes Parts Marked □)
2	192-0043	1	†Δ□Rope
3	192-0044	1	†Δ□Grip
4	517-0025	1	†Δ□Plug, Grip
5	526-0021	1	†Δ□Washer, Flat (17/64" ID x 3/4" OD x 1/16" Thk)
6	192-0153	1	†ΔWheel, Cog
7	516-0138	1	†ΔPin, Roll
8	192-0039	1	†ΔSpring, Recoil
9	526-0123	1	†ΔWasher, Thrust
10	192-0180	1	†ΔSheave, Rope (Includes Parts Marked *)
11	192-0172	2	†Δ*Pawl
12	192-0165	2	†Δ*Spring, Pawl
13	192-0168	2	†Δ*Arm, Ratchet
14	516-0110	4	†Δ*Pin, Roll (2) Pawl (2) Ratchet Arm
15	192-0167	1	†Δ*Clamp, Rope
16	192-0163	1	†ΔBearing, Sheave Hub
17	192-0323	1	†ΔScrew, Cap - Socket Head (Special)
18	862-0003	1	†ΔNut, Hex (3/8-16)
19	192-0152	1	†ΔCover, Starter
20	192-0186	1	†ΔRing, Mounting

REF. NO.	PART NO.	QTY. USED	PART DESCRIPTION
21	870-0110	4	†ΔNut, Speed Grip
22	526-0180	4	†ΔWasher, Flat (17/16" ID x 7/8" OD x 1/8" Thk)
23	526-0130	4	†ΔWasher, Flat (17/64" ID x 1" OD x 1/16" Thk)
24	192-0309	1	†ΔWheel, Ratchet - Begin Spec E
25	516-0132	1	†ΔPin, Spiral - Brass
26	526-0168	1	†ΔWasher, Flat (1-15/32" ID x 3" OD x .047" Thk)
27	815-0137	4	†ΔScrew, Cap - Hex Head (1/4-20 x 1-1/4")
28	850-0050	1	†ΔWasher, Lock - Spring (3/8")
29	800-0007	4	†ΔScrew, Cap - Hex Head (1/4-20 x 1-1/4")
30	850-0040	8	†ΔWasher, Lock - Spring (1/4")
31	815-0137	2	†ΔScrew, Cap - Hex Head (1/4-20 x 1-1/4")
32	526-0158	4	†ΔWasher, Flat (.261" ID x 1" OD x 1/8" Thk)
33	526-0015	2	†ΔWasher, Flat (9/32" ID x 9/16" OD x 1/16" Thk)
34	192-0170	1	ΔWheel, Ratchet - Specs A through D
35	192-0218	2	ΔScrew, Cap - Hex Head - Specs A through D

† - Parts Included in 192-0325 Starter Kit.  
 Δ - Parts Included in 192-0215 Starter Kit.  
 □ - Parts Included in 192-0045 Rope and Grip Assembly  
 \* - Parts Included in 192-0180 Rope Sheave.

**OPTION 10  
GEAR REDUCTION (3.3:1)**

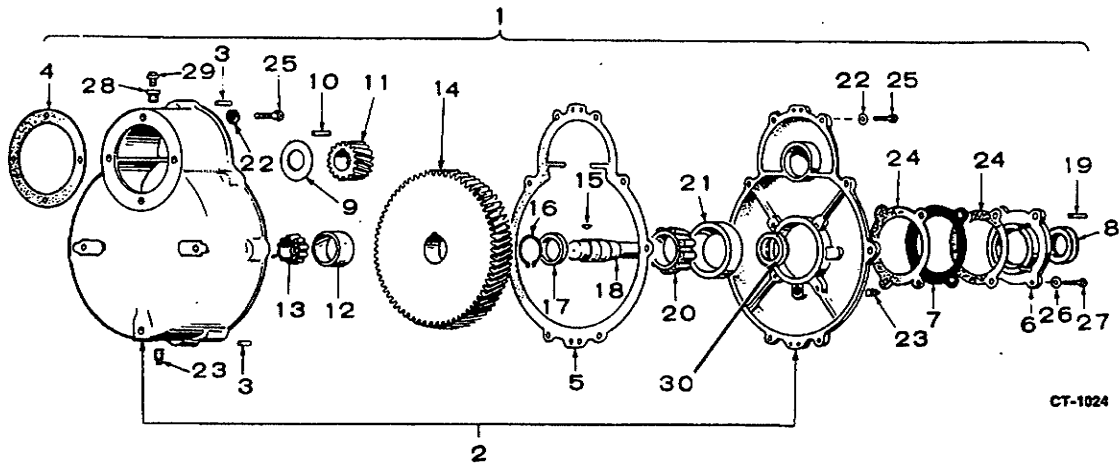


CT-1023

REF. NO.	PART NO.	QTY. USED	PART DESCRIPTION	REF. NO.	PART NO.	QTY. USED	PART DESCRIPTION
1	REDUCTION GEAR ASSEMBLY			14	800-0007	4	Screw, Cap - Hex Head (1/4-20 x 1")
	190-0444	1	Mounted Left Side Horizontal	15	515-0159	1	Key, Driven Gear
	190-0440	1	Mounted Right Side Horizontal	16	518-0013	1	Ring, Retainer
2	190-0050	1	Housing - Includes Cover (Also Order 2 #516-0012 Pins)	17	190-0202	1	Spacer, Bearing
3	516-0012	2	Pin, Dowel	18	190-0192	1	Shaft, Take-Off
4	190-0020	1	Gasket, Housing to Engine	19	515-0103	1	Key, Take-Off Shaft
5	190-0021	1	Gasket, Cover to Housing	20	510-0023	1	Cone, Roller Bearing
6	190-0016	1	Plate, Bearing Retainer	21	510-0024	1	Cup, Roller Bearing
7	190-0115	1	Shim Set, End Play Adjustment	22	850-0045	12	Washer, Lock - Spring (5/16")
8	509-0016	1	Seal, Oil	23	505-0054	3	Plug, Pipe (1/4)
9	190-0195	1	Washer, Pinion Gear	24	190-0306	2	Gasket, Bearing Plate to Housing
10	515-0142	1	Key, Pinion Gear	25	800-0028	16	Screw, Cap - Hex Head (5/16-18 x 1")
11	190-0447	1	Gear, Set (Pinion and Driven)	26	526-0063	4	Washer, Flat - Copper (17/64" ID x 7/16" OD x 1/22" Thk)
12	510-0022	1	Cup, Roller Bearing				
13	510-0021	1	Cone, Roller Bearing				

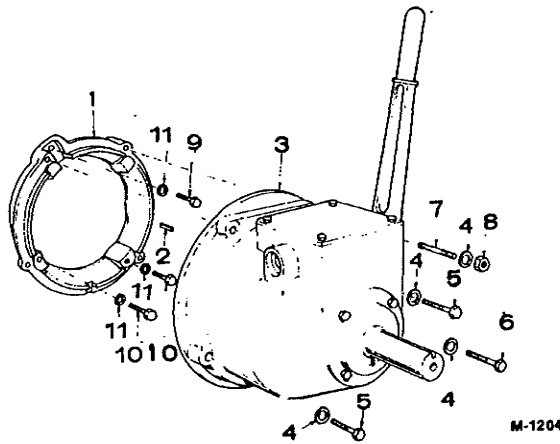


## OPTION 11 GEAR REDUCTION (4:1)



REF. NO.	PART NO.	QTY. USED	PART DESCRIPTION	REF. NO.	PART NO.	QTY. USED	PART DESCRIPTION
1	REDUCTION GEAR ASSEMBLY			15	515-0159	1	Key, Driven Gear
	190-0193	1	Mounted Left Side Horizontal (No Longer Available)	16	518-0013	1	Ring, Retainer
	190-0299	1	Mounted Right Side Horizontal (No Longer Available)	17	190-0202	1	Spacer, Bearing
	FOR REPLACEMENT ORDER:			18	190-0192	1	Shaft, Take-Off
	190-0440	1	Reduction Gear Assembly, Mounted Right Side Horizontal	19	515-0103	1	Key, Take-Off Shaft
	190-0447	1	Gear, Set (Pinion & Driver)	20	510-0023	1	Cone, Roller Bearing
	190-0195	1	Washer, Pinion Gear	21	510-0024	1	Cup, Roller Bearing
	515-0142	1	Key, Pinion Gear	22	850-0045	12	Washer, Lock - Spring (5/16")
	190-0410	1	Mounted Vertical Down	23	PLUG, PIPE (1/4) 505-0054	3	Mounted Left Side and Mounted Right Side Gear Box
2	190-0050	1	Housing - Includes Cover (No Longer Available) (Also Order 2 #516-0012 Pins)		505-0054	2	Mounted Vertical Down Gear Box
3	516-0012	2	Pin, Dowel	24	190-0306	2	Gasket, Bearing Plate to Housing
4	190-0020	1	Gasket, Housing to Engine	25	800-0028	12	Screw, Cap - Hex Head (5/16-18 x 1")
5	190-0021	1	Gasket, Cover to Housing	26	526-0063	4	Washer, Flat - Copper (17/64" ID x 7/16" OD x 1/32" Thk)
6	190-0016	1	Plate, Bearing Retainer	27	800-0007	4	Screw, Cap - Hex Head (1/4-20 x 1")
7	190-0115	1	Shim Set, End Play Adjustment	28	505-0007	1	Bushing, Reducer - Mounted Vertical Down Gear Box
8	516-0057	1	Seal, Oil	29	518-0172	1	Vent, Mounted Vertical Down Gear Box
9	190-0195	1	Washer, Pinion Gear	30	509-0016	1	Seal, Oil
10	515-0142	1	Key, Pinion Gear				
11	190-0191	1	Gear, Pinion (No Longer Available)				
12	510-0022	1	Cup, Roller Bearing				
13	510-0021	1	Cone, Roller Bearing				
14	190-0190	1	Gear, Driven (No Longer Available)				

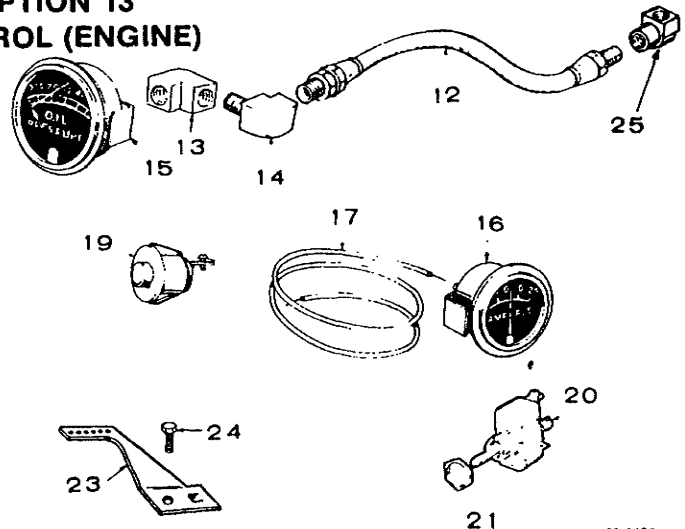
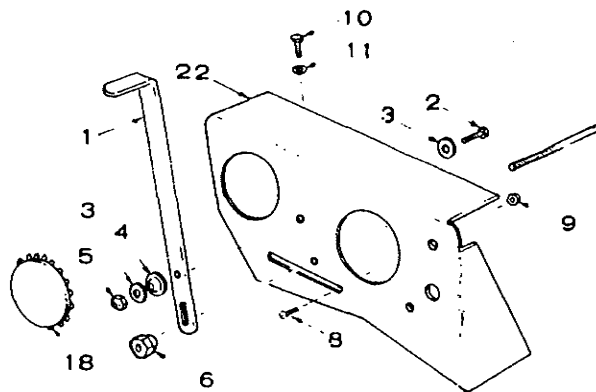
## OPTION 12 CLUTCH (ROCKFORD)



REF. NO.	PART NO.	QTY. USED	PART DESCRIPTION
	190-0178	1	Kit, Clutch - Complete
1	190-0171	1	Adapter, Clutch to Engine
2	515-0041	1	Key, Clutch
3	190-0174	1	*Clutch Assembly (Rockford #PTA-S5-1/2-19S)
4	850-0055	3	Washer, Lock - Spring (7/16")
5	800-0074	1	Screw, Cap - Hex Head (7/16-14 x 1-3/4")
6	800-0075	2	Screw, Cap - Hex Head (7/16-14 x 2")
7	520-0126	1	Stud (3/8 x 3-7/8")
8	104-0091	1	Nut, Hex (Special)
9	800-0053	1	Screw, Cap - Hex Head (3/8-16 x 1-3/4")
10	800-0054	2	Screw, Cap - Hex Head (3/8-16 x 2")
11	850-0050	4	Washer, Lock - Spring (3/8")

\* - For components, check Clutch nameplate and contact your nearest Rockford Clutch Dealer.

## OPTION 13 CONTROL (ENGINE)

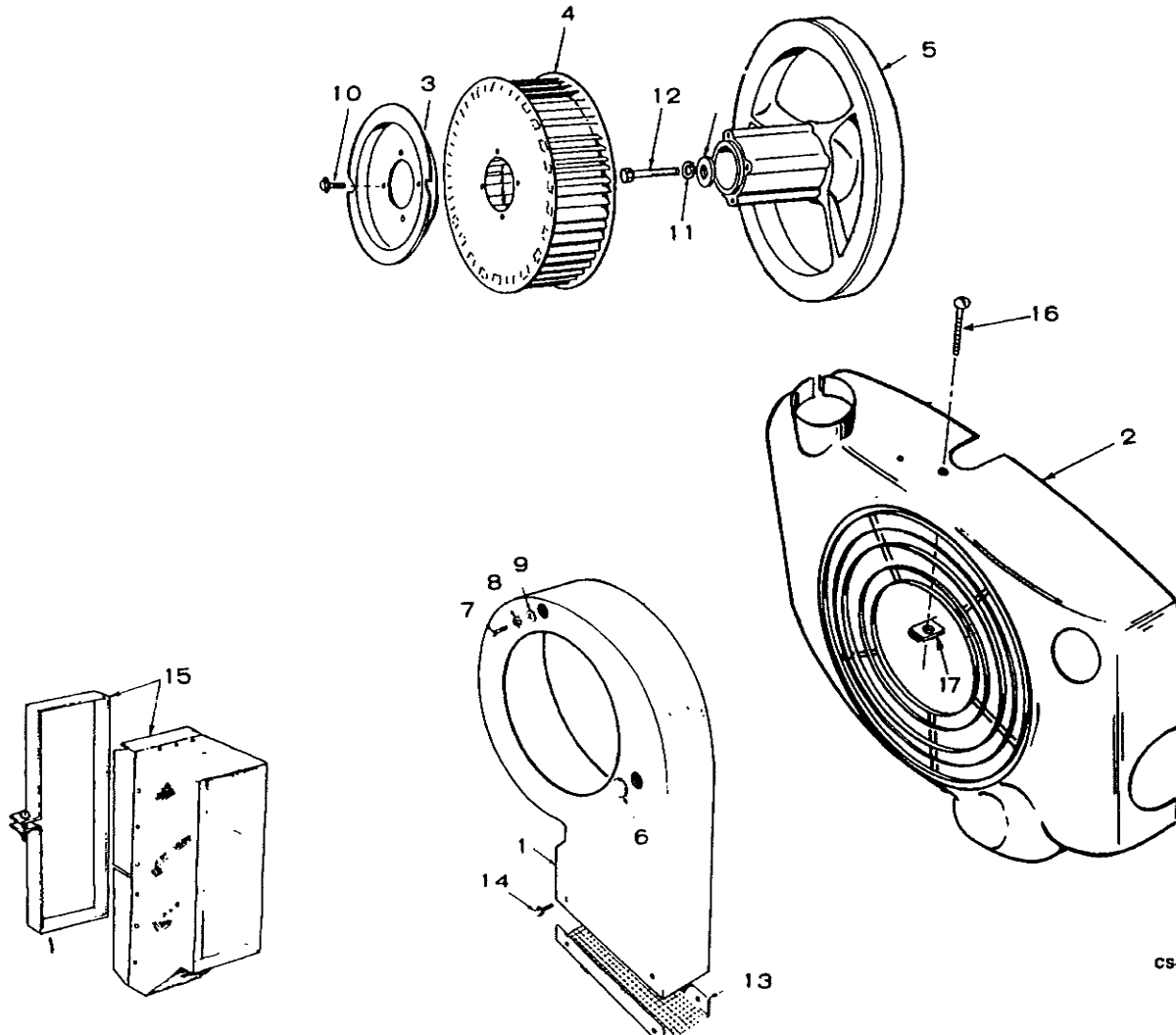


REF. NO.	PART NO.	QTY. USED	PART DESCRIPTION
1	152-0170	1	Lever, Throttle Control
2	800-0005	1	Screw, Cap - Hex Head (1/4-20 x 3/4")
3	526-0015	2	Washer, Flat (9/32" ID x 9/16" OD x 1/16" Thk)
4	152-0041	1	Washer, Tension
5	870-0065	1	Nut, Hex Self Locking (1/4-20)
6	150-0621	1	Nut, Special - Speed Adjusting Stud
8	815-0199	2	Screw, Machine - Fillister Head (#10-32 x 5/16")
9	870-0131	2	Nut, Hex with ET Lock Washer (10-32)
10	800-0002	2	Screw, Cap - Hex Head (1/4-20 x 3/8")
11	850-0040	2	Washer, Lock - Spring (1/4")
12	501-0004	1	Line, Oil
13	502-0055	1	Elbow, Pipe
14	502-0002	1	Elbow, Inverted Male
15	193-0005	1	Gauge, Oil Pressure
16	302-1361	1	Ammeter (20-0-20) (Includes Parts Marked *)
17	334-0028	1	Lead (4 foot pieces of wire)
18	517-0009	1	Plug, Dot Button
19	308-0029	1	Switch, Start
20	308-0232	1	Switch, Stop
21	153-0328	1	Cable, Choke
22	301-2780	1	Bracket, Engine Control
23	150-1000	1	Extension, Governor Arm
24	815-0181	1	Screw, Cap - Hex Head W/ET (#10-32 x 1/2")
25	502-0020	1	Elbow, Pipe - Street Brass, 90° (1/8 NPT)
-	302-0270	1	*Hardware Mounting Package.

\* - Parts Included in 302-1361 Ammeter.

927-0404 (APRIL 1981)

## OPTION 14 AIR HOUSING - VACU-FLO COOLING (AND FLYWHEEL)



CS-1073

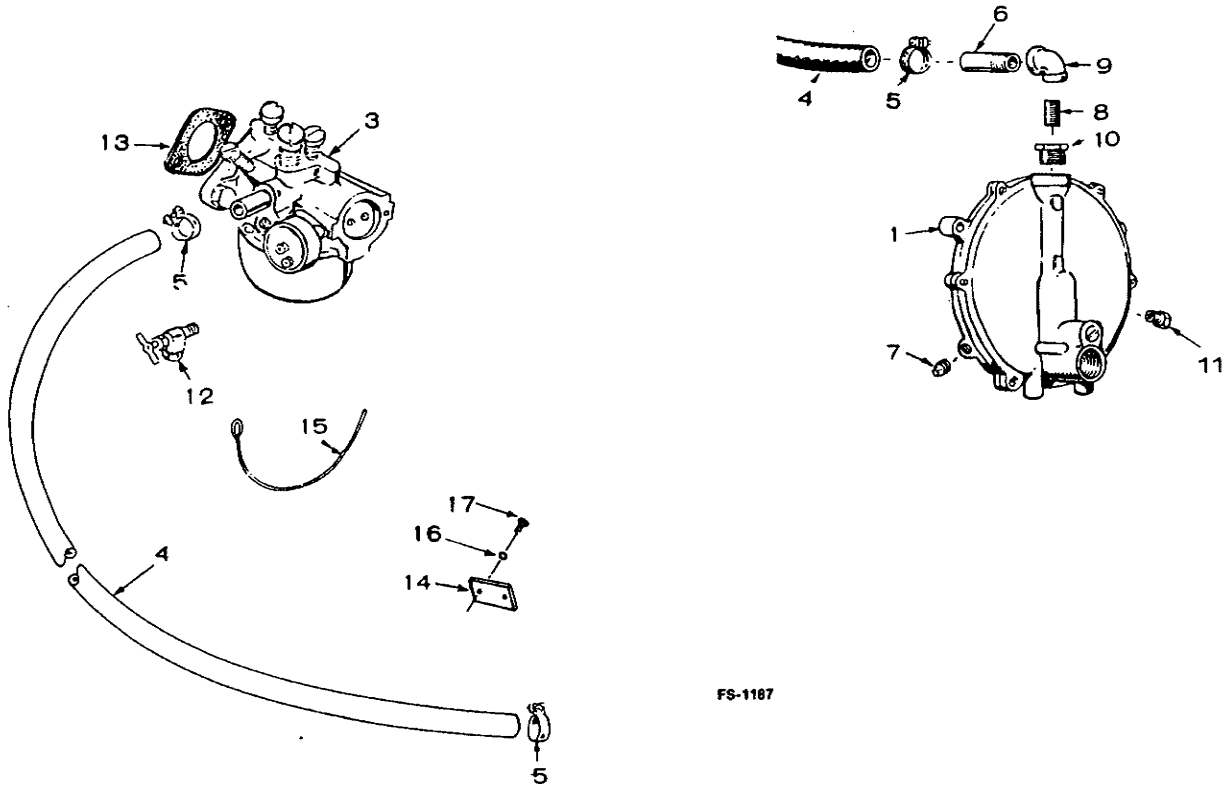
REF. NO.	PART NO.	QTY. USED	PART DESCRIPTION	REF. NO.	PART NO.	QTY. USED	PART DESCRIPTION
1	SCROLL, AIR DISCHARGE (Includes Parts Marked †)			10	800-0010	4	Screw, Cap - Hex Head (1/4-20 x 1-3/4")
	134-3103	1	Mounted in 6 o'clock position	11	850-0040	4	Washer, Lock - Spring (1/4")
	134-3070	1	Mounted in 9 o'clock position	12	104-0170	1	Screw, Cap - Hex Head (Special) - Flywheel Mounting
	134-3041	1	Mounted in 3 o'clock or 12 o'clock position	13	134-2956	1	†Guard, Scroll Outlet
2	HOUSING, BLOWER			14	815-0421	4	†Screw, Machine - Hex Head (#10-16 x 1/2")
	134-2828	1	Begin Spec J	15	405-1059	1	Anti-Vibration Package
	134-2138	1	Spec G and H	16	812-0099	1	Screw, Round Head - Machine - Coil Mounting - Begin Spec J (10-24 x 7/16")
3	192-0272	1	Sheave, Rope	17	870-0177	1	Nut, Speed - Coil Mounting - Begin Spec J (#10)
4	134-0565	1	Wheel, Blower				
5	FLYWHEEL						
	104-0302	1	Standard				
	104-0491	1	Engine with Optional Spark Advance				
6	517-0021	2	Plug, Dot Button				
7	800-0002	4	Screw, Cap - Hex Head (1/4-20 x 3/8")				
8	853-0013	4	Washer, Lock - ET (1/4")				
9	526-0015	4	Washer, Flat (9/32" ID x 9/16" OD x 1/16" Thk)				

\* - Vacu-flo units with oil filter also see Oil Filter Group - Option 8.  
† - Parts included in Air Discharge Scroll Assembly.

927-0404 (APRIL 1981)

**C10**

## OPTION 15 FUEL SYSTEM (GASEOUS FUEL)



FS-1187

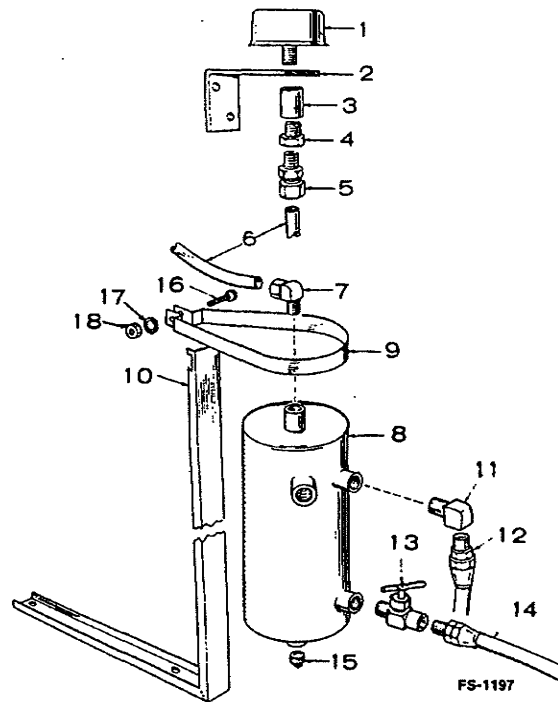
REF. NO.	PART NO.	QTY. USED	PART DESCRIPTION	REF. NO.	PART NO.	QTY. USED	PART DESCRIPTION
	148-0390	1	Repair Kit, Gas Regulator	8	505-0099	1	Nipple (1/4 x 7/8") - Regulator Outlet
1	148-0311	1	Regulator, Gas (Garretson Manufacturer).	9	505-0038	1	Elbow (1/4") - Regulator Outlet
3	*CARBURETOR, GAS-GASOLINE (Includes Mounting Gasket) (Includes Parts Marked †)			10	505-0017	1	Bushing (3/8 x 1/4") Regulator Outlet
	143-0338	1	Spec G Only (Manual Choke)	11	148-0107	1	Vent, Regulator
	141-0887	1	Begin Spec H (Manual Choke)	12	504-0007	1	Valve, Shut-Off - Fuel Pump inlet
	143-0339	1	Spec G Only (Electric Choke)	13	141-0281	1	†Gasket, Carburetor Mounting
	141-0888	1	Begin Spec H (Electric Choke)	14	149-0136	1	Plate, Fuel Pump Hole Crankcase (Gas Fuel Sets)
3	*CARBURETOR, GAS (Includes Mounting Gasket) (Includes Parts Marked †)			15	143-0231	1	Wire, Choke Stop (Gas-Gasoline Units)
	141-0840	1	Spec G Only	16	526-0063	2	Washer, Flat, Copper (17/64" ID x 7/16 OD x 1/32" Thk)
	141-0892	1	Begin Spec H	17	806-0009	2	Screw, Cap - Counterbore (1/4-20 x 1.1")
4	503-0315	1	Hose, Regulator to Carburetor (1/2" ID x 2 FT)				
5	503-0032	2	Clamp, Hose				
6	505-0302	1	Nipple (1/4 x 1-1/2"), Half				
7	505-0057	1	Plug (1/8") - Regulator				

\* - See Separate Group for Components and Gasket Kit.

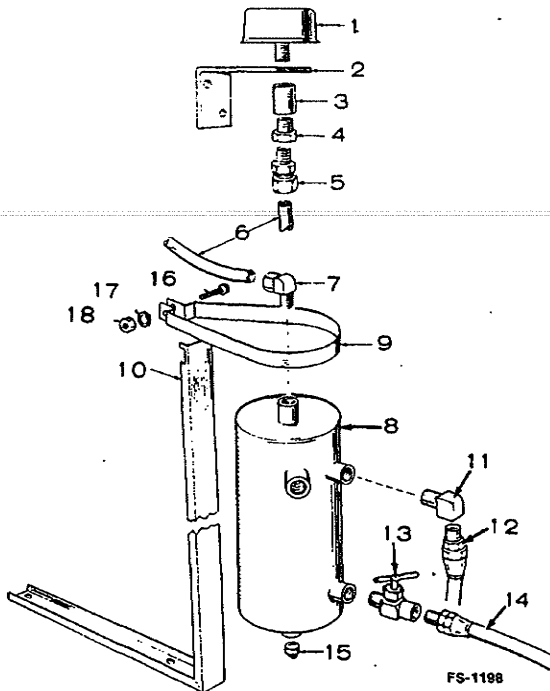
† - Parts Included in 141-0840/141-0887/141-0888/141-0892 Carburetor Kit.

## OPTION 16 RESERVOIR (DAY) TANK (ONE QUART)

REF. NO.	PART NO.	QTY. USED	PART DESCRIPTION
	159-0591	1	Kit, Tank (Includes all parts in this group)
1	159-0041	1	Cap, Vent
2	415-0055	1	Bracket, Vent Cap
3	505-0028	1	Coupling, Pipe
4	505-0016	1	Bushing, Reducer (3/8 to 1/8")
5	502-0116	1	Connector, Compression
6	159-0345	1	Tubing, Copper (5/16 x 12")
7	502-0024	1	Elbow, Compression (90°)
8	159-0294	1	Tank, Reservoir
9	159-0556	1	Band, Reservoir Tank
10	159-0612	1	Bracket, Reservoir Tank Mounting
11	502-0020	1	Elbow, Street (90°)
12	501-0005	1	Line, Fuel - to Fuel Pump (18")
13	504-0086	1	Valve, Shut-off
14	501-0007	1	Line, Fuel - to Carburetor (24")
15	505-0057	1	Plug, Tank Drain
16	812-0156	1	Screw, Machine - Round Head (1/4-20 x 1-1/2")
17	850-0040	1	Washer, Lock - Spring (1/4")
18	862-0001	1	Nut, Hex (1/4-20)

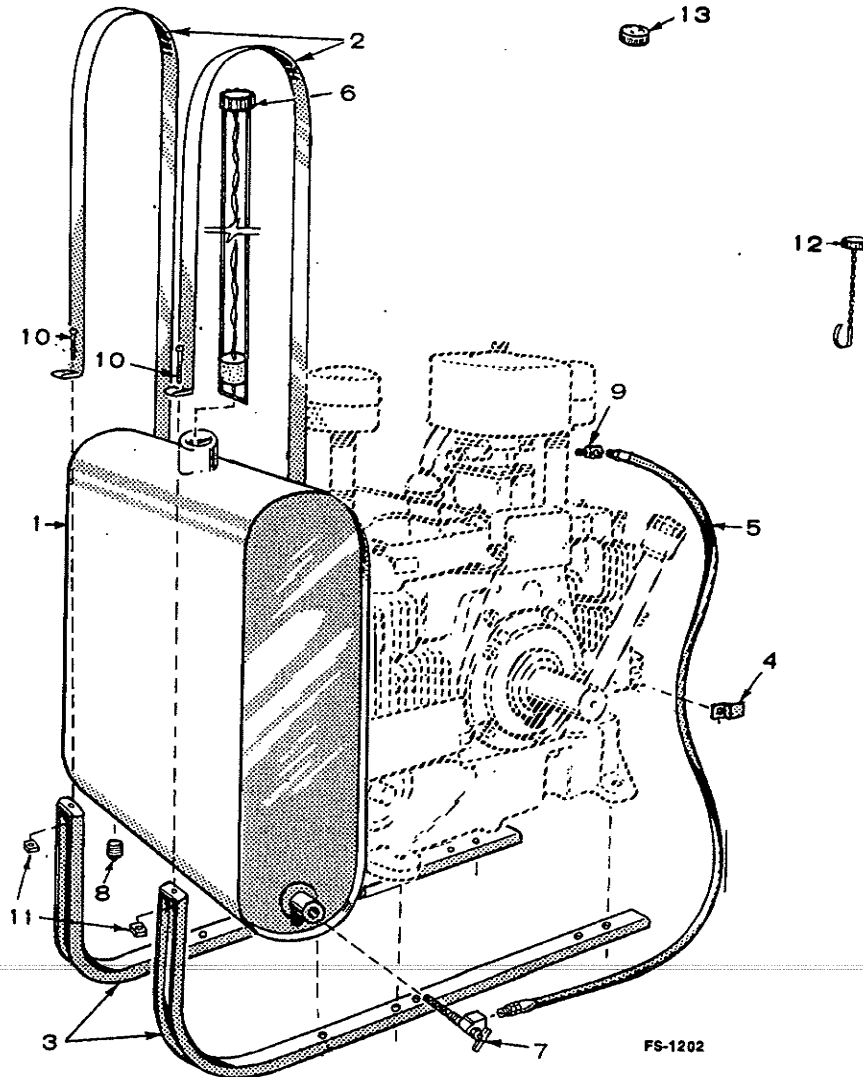


## OPTION 17 RESERVOIR (DAY) TANK (TWO QUART)



REF. NO.	PART NO.	QTY. USED	PART DESCRIPTION
	159-0942	1	Kit, Tank (Includes all parts in this group)
1	159-0041	1	Cap, Vent
2	415-0055	1	Bracket, Vent Cap
3	505-0028	1	Coupling, Pipe
4	505-0016	1	Bushing, Reducer (3/8 to 1/8")
5	502-0116	1	Connector, Compression
6	159-0345	1	Tubing, Copper (5/16 x 12")
7	502-0024	1	Elbow, Compression (90°)
8	159-0746	1	Tank, Reservoir
9	159-0936	1	Band, Reservoir Tank
10	159-0612	1	Bracket, Reservoir Tank Mounting
11	502-0020	1	Elbow, Street (90°)
12	501-0005	1	Line, Fuel - to Fuel Pump (18")
13	504-0086	1	Valve, Shut-off
14	501-0007	1	Line, Fuel - to Carburetor (24")
15	505-0057	1	Plug, Tank Drain
16	812-0156	1	Screw, Machine - Round Head (1/4-20 x 1-1/2")
17	850-0040	1	Washer, Lock - Spring (1/4")
18	862-0001	1	Nut, Hex (1/4-20)

## OPTION 18 FUEL TANK (SIDE MOUNTED)



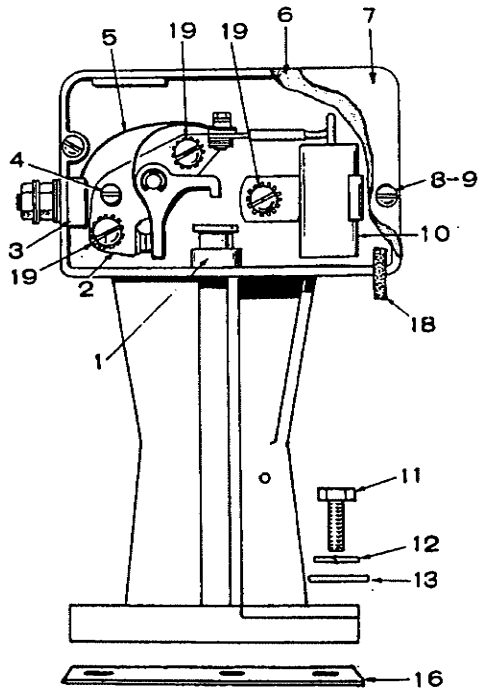
REF. NO.	PART NO.	QTY. USED	PART DESCRIPTION	REF. NO.	PART NO.	QTY. USED	PART DESCRIPTION
	159-0984	1	Kit, Fuel Tank with Gauge (Includes Parts Marked *)	7	504-0013	1	† Valvo, Shut-off
	159-0597	1	Kit, Fuel Tank Without Gauge (Includes Parts Marked †)	8	505-0057	1	† Plug, Tank Drain
1	159-0981	1	† Tank, Fuel (Less Cap)	9	502-0020	1	† Elbow, Carburetor Inlet
2	159-0596	2	† Strap, Fuel Tank	10	813-0108	2	† Screw, Machine - Round Head (#10-32 x 1-1/2")
3	159-0595	2	† Bracket, Fuel Tank	11	870-0053	2	† Nut, Hex (#10-32)
4	134-0599	1	† Clip, Fuel Line	12	159-0020	1	† Cap, Fuel Tank (For 2-5/16" Filler Neck) - Late Models
5	501-0008	1	† Line, Fuel	13	159-0007	1	Cap, Fuel Tank (For 1-3/4" Filler Neck) - Early Models
6	193-0207	1	* Cap and Gauge, Fuel Tank (For 2-5/16" Filler Neck) - Late Models				

† - Parts Included in 159-0597 Fuel Tank Kit.  
\* - Parts Included in 159-0984 Fuel Tank Kit

**C13**

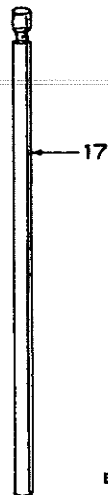
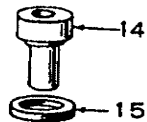
927-0404 (APRIL 1981)

## OPTION 19 BREAKER BOX (HIGH PROFILE)



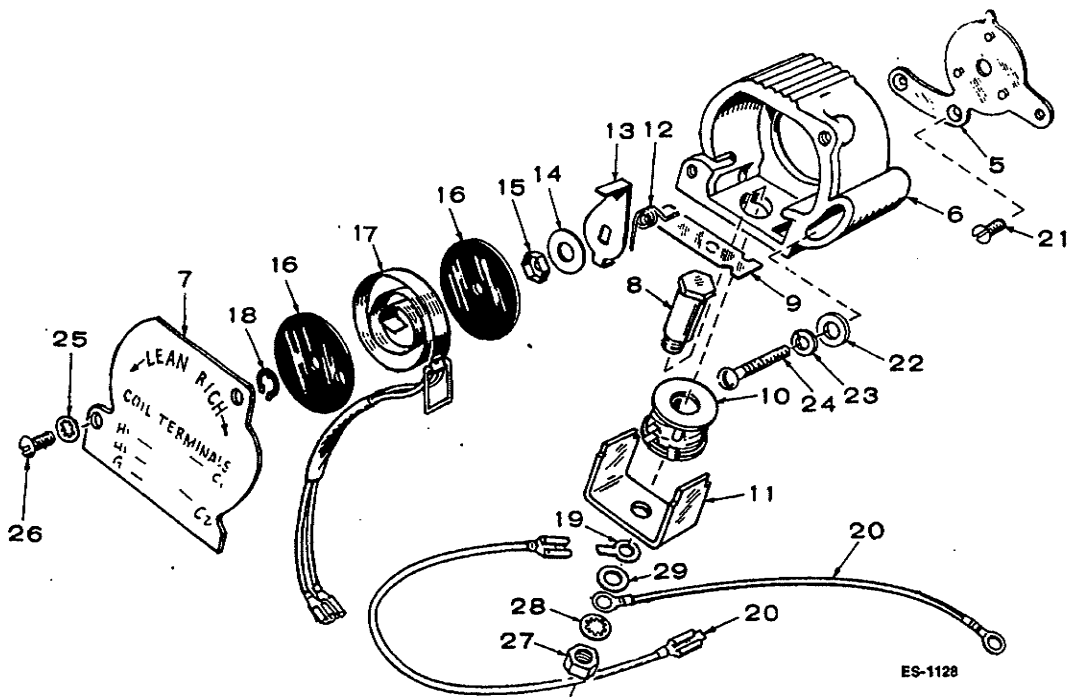
REF. NO.	PART NO.	QTY. USED	PART DESCRIPTION
	160-1135	1	Box Assembly, (Includes Parts Marked *)
1	160-0931	1	*Guide, Plunger
2	160-0002	1	*Point Set
3	160-0349	1	*Terminal and Block Assembly
4	160-0075	1	*Cam, Point Adjusting
5	160-0428	1	*Strap, Point Set to Terminal
6	160-0150	1	*Gasket, Cover
7	160-0930	1	*Cover, Breaker Box
8	850-0025	2	*Washer, Lock - Spring (#8)
9	812-0077	2	*Screw, Machine - Round Head (#8-32 x 3/8")
10	312-0069	1	*Condenser (.3 Mfd)
11	802-0035	2	*Screw, Socket Head (1/4-20 x 7/8")
12	850-0040	2	*Washer, Lock - Spring (1/4")
13	526-0214	2	Washer, Flat (17/64 ID x 1/2 OD x 1/16 Thk)
14	BUSHING, GUIDE		
	160-1041	1	*Begin Spec J
	160-0929	1	Spec A through H
15	160-1040	1	*Gasket, Mounting - Begin Spec J
16	160-0043	1	Gasket, Spec A through H
17	160-0723	1	*Plunger, Breaker
18	160-0261	1	*Wick
19	815-0285	3	*Screw, Machine - Round Head W/ET Washer (#8-32 x 5/16")

\* - Parts included in 160-1135 Breaker Box Assembly.



ES-1124

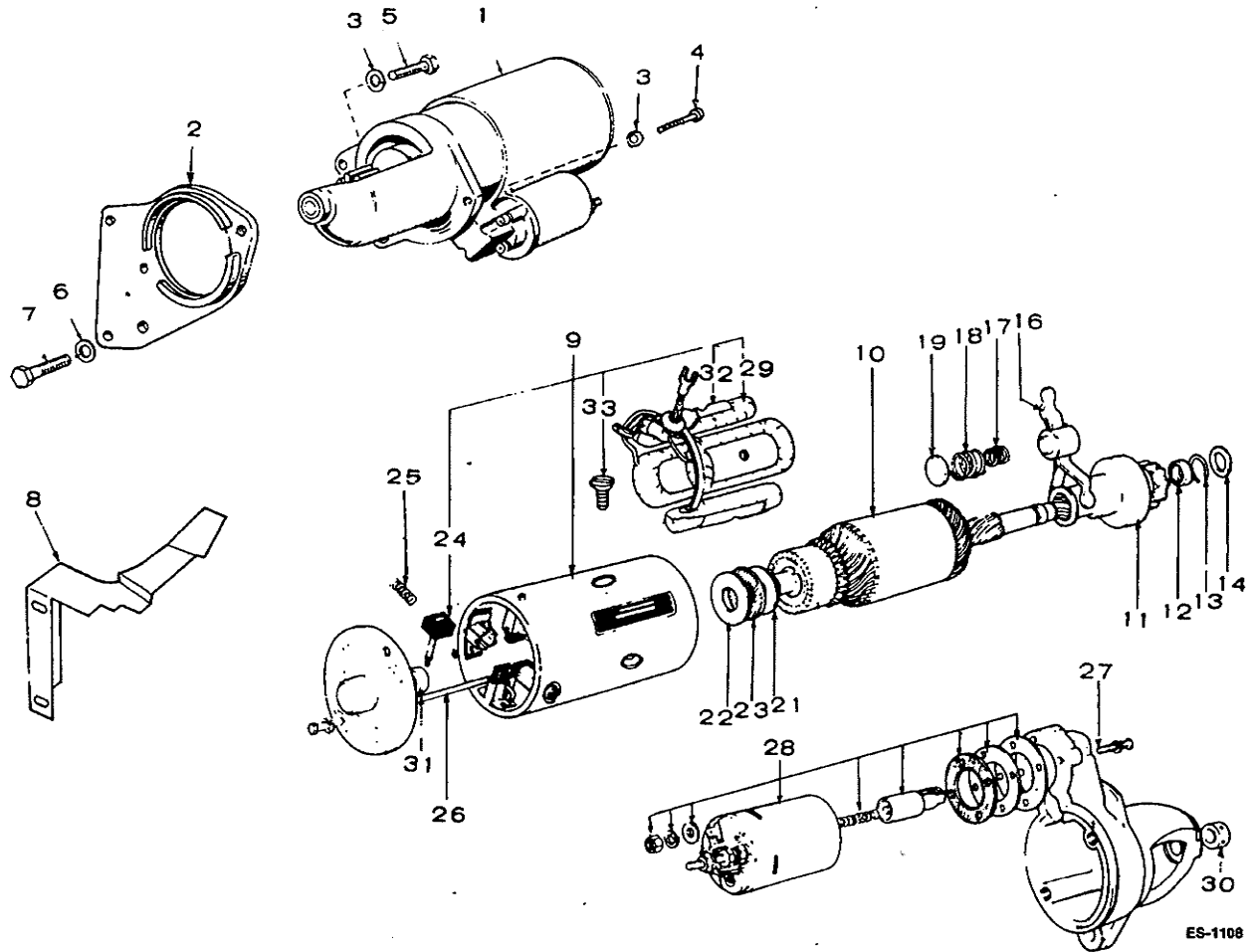
## OPTION 20 THERMO MAGNETIC CHOKE



REF. NO.	PART NO.	QTY. USED	PART DESCRIPTION	REF. NO.	PART NO.	QTY. USED	PART DESCRIPTION
	153-0429	1	Replacement Kit (Includes Complete Choke - less leads)	18	518-0129	1	Ring, Retainer
5	153-0385	1	Plate, Mounting	19	332-0876	1	Terminal Ground
6	153-0386	1	Body	20	LEAD, CHOKE		
7	153-0389	1	Cover	336-1550		1	Choke to Ground
8	153-0391	1	Core, Solenoid	336-1549		1	Choke Solenoid Ground
9	153-0395	1	Armature	21	815-0161	2	Screw (10-32 x 3/8")
10	307-1203	1	Coil, Solenoid Assembly	22	526-0008	1	Washer, Flat
11	153-0392	1	Frame, Solenoid	23	850-0030	1	Washer (#10), Lock
12	153-0387	1	Spring	24	813-0107	1	Screw (10-32 x 1-1/4")
13	153-0390	1	Lever, Thermostat	25	854-0007	2	Washer (#8), Lock
14	526-0018	1	Washer	26	812-0076	2	Screw (8-32 x 5/16")
15	870-0134	1	Nut, Hex (1/4-20)	27	862-0015	1	Nut, Hex (5/16-18)
16	153-0399	2	Insulator	28	854-0017	1	Washer, (5/16), Lock
17	153-0400	1	Heater Assembly	29	526-0022	1	Washer, Flat



## OPTION 21 STARTER (SOLENOID SHIFT) KEY 2



ES-1108

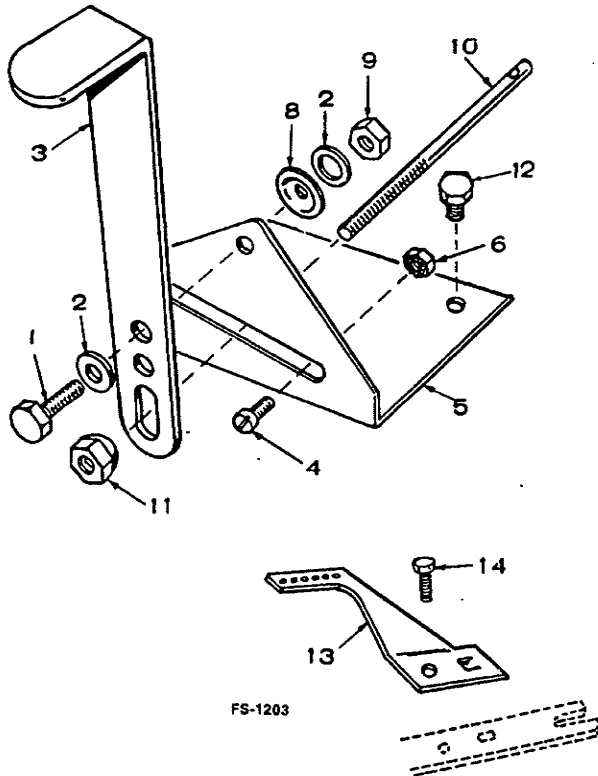
REF. NO.	PART NO.	QTY. USED	PART DESCRIPTION	REF. NO.	PART NO.	QTY. USED	PART DESCRIPTION
1	191-0790	1	Motor, Starter (Includes Parts Marked *)	16	191-0749	1	*Lever Assembly
2	191-0508	1	Flange, Starter Motor	17	191-0750	1	*Spring, Lever
3	850-0050	2	Washer, Lock - Spring (3/8")	18	191-0751	1	*Spring, Lever
4	800-0049	1	Screw, Cap - Hex Head (3/8-16 x 7/8")	19	191-0752	1	*Holder, Spring
5	800-0050	1	Screw, Cap - Hex Head (3/8-16 x 1")	21	191-0754	1	*Washer, Plain
6	850-0050	2	Washer, Lock - Spring (3/8")	22	191-0755	1	*Washer, Plain
7	102-0455	2	Screw, Cap - Hex Head (Special)	23	191-0756	1	*Washer, Insulation
8	134-2131	1	Baffle, Air	24	191-0757	4	*Δ Brush
9	191-0806	1	*Yoke Assembly (Frame) - (Includes Parts Marked Δ)	25	191-0758	4	*Spring, Brush
10	191-0743	1	*Armature	26	191-0759	2	*Bolt, Through
11	191-0744	1	*Clutch	27	191-0760	3	*Screw, Machine
12	191-0745	1	*Stop, Pinion	28	191-0761	1	*Switch Assembly, Solenoid
13	191-0746	1	*Ring	29	191-0762	1	*Δ Coil Assembly, Field
14	191-0747	1	*Washer, Plain	30	191-0763	1	*Bearing, Front
				31	191-0764	1	*Bearing, Rear
				32	191-0765	4	*Δ Pole Shoe
				33	191-0766	4	*Δ Screw

\* - Parts Included in 191-0790 Starter Motor.  
 Δ - Parts Included in 191-0806 Yoke Assembly.

927-0404 (APRIL 1981)

**D2**

## OPTION 22 GOVERNOR CONTROL (VARIABLE SPEED)



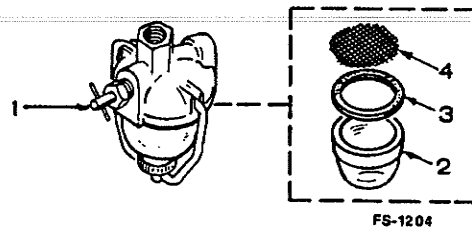
REF. NO.	PART NO.	QTY. USED	PART DESCRIPTION
	152-0085	1	Bracket and Control Arm Assembly Variable Speed - Complete (Includes Parts Marked *)
1	800-0005	1	*Screw, Cap - Hex Head (1/4-20 x 3/4")
2	526-0015	2	*Washer, Flat (9/32" ID x 9/16" OD x 1/16" Thk)
3	152-0083	1	*Lever, Control
4	815-0199	2	*Screw, Machine - Fillister Head (#10-32 c 5/16")
5	152-0086	1	*Bracket, Mounting
6	870-0131	2	*Nut, Hex with ET Lock Washer (#10-32)
8	152-0041	1	*Washer, Tension
9	870-0065	1	*Nut, Hex - Self Locking (1/4-20)
10	152-0090	1	Stud, Speed Adjusting
11	150-0621	1	Nut, Special - Speed Adjusting Stud
12	821-0008	2	Screw, Cap - Hex Head Locking (1/4-20 x 5/16")
13	150-1000	1	Extension, Governor Arm
14	815-0181	1	Screw, Cap - Hex Head with ET Lock Washer (#10-32 x 1/2")

\* - Parts Included in 152-0085 Bracket and Arm Assembly.

## OPTION 23 FUEL FILTER

REF. NO.	PART NO.	QTY. USED	PART DESCRIPTION
1	149-0079	1	Bowl Assembly, Sediment - Complete (Includes Parts Marked *)
2	149-0150	1	*Bowl Only
3	149-0149	1	*Gasket, Bowl Mounting
4	149-0202	1	*Screen

\* - Parts Included in 149-0079 Sediment Bowl Assembly.

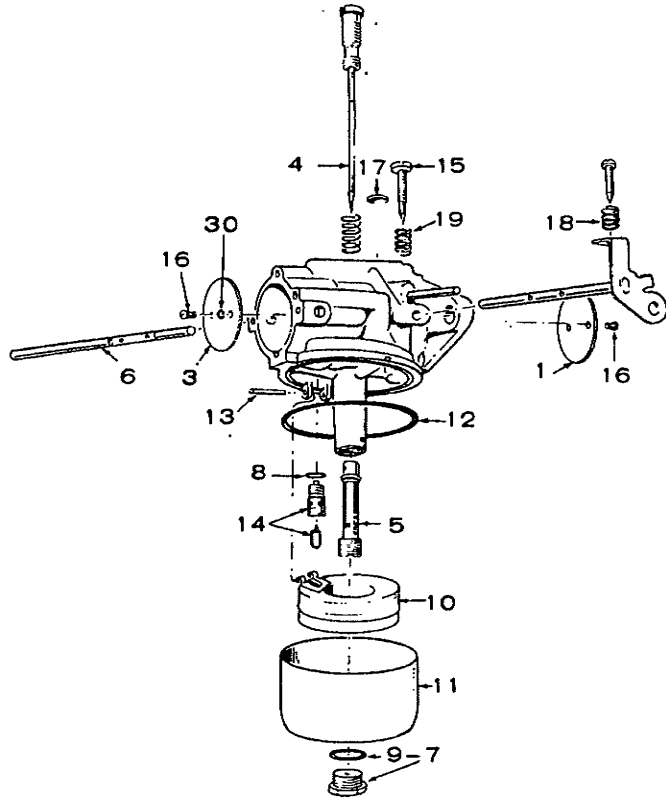


## OPTION 24 CARBURETOR PARTS (GASOLINE, ELECTRIC CHOKE) SPEC G ONLY)

REF. NO.	PART NO.	QTY. USED	PART DESCRIPTION
	141-0792	1	Carburetor, Gasoline - Electric Choke (Includes Mounting Gasket)
	143-0332	1	Kit, Carburetor Repair (Includes Parts Marked **)
	143-0201	1	**Kit, Carburetor Gasket (Includes Parts Marked *)
	141-0281	1	*Gasket, Carburetor Flange
1	143-0202	1	Valve, Throttle
3	143-0204	1	Valve, Choke - Electric Choke
4	143-0330	1	**Needle, Idle Jet and High Speed Adjusting
5	143-0329	1	**Nozzle
6	143-0315	1	Shaft, Choke - Electric Choke
7	143-0208	1	Screw and Gasket, Bowl
8	143-0015	1	*Gasket, Fuel Inlet Valve
9	143-0209	1	*Gasket, Bowl Screw
10	143-0105	1	Float and Lever
11	143-0210	1	Bowl
12	143-0077	1	*Gasket, Bowl Ring
13	141-0703	1	**Pin, Float Lever
14	143-0341	1	**Valve, Fuel Inlet
15	143-0213	1	Screw, Idle Adjusting
16	812-0014	4	**Screw (#3-48 x 3/16) - Choke and Throttle Valve
17	143-0110	1	Plug Expansion
18	143-0214	1	Spring, Throttle Adjusting Screw
19	143-0112	1	Spring, Idle Adjusting Screw
29	143-0342	1	Diaphragm - Electric Choke
30	854-0003	4	**Washer, Lock (It #3)

\* - Parts Included in 143-0201 Carburetor Gasket Kit.

\*\* - Parts Included in 143-0332 Carburetor Repair Kit.



FS-1188

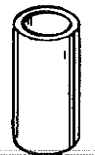
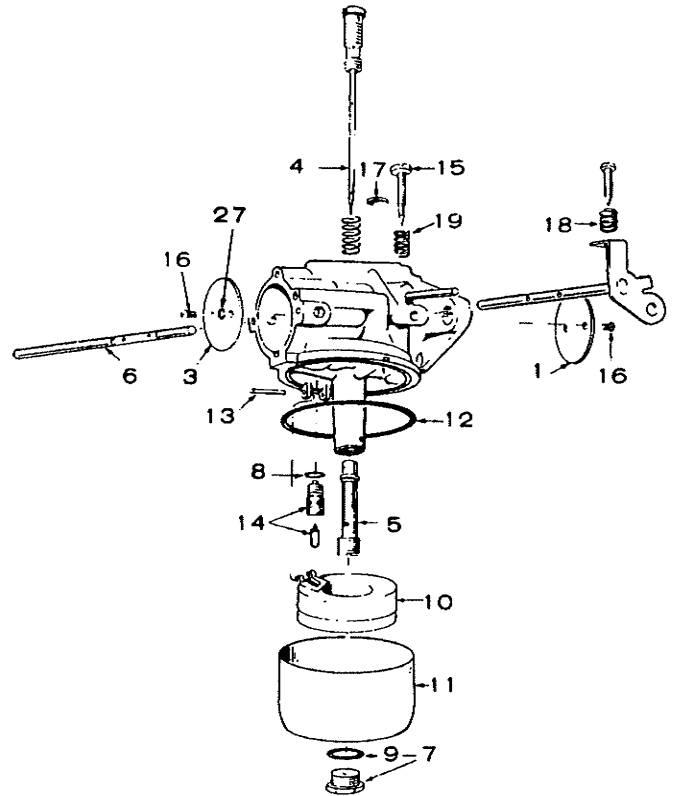
927-0404 (APRIL 1981)

**D4**

## OPTION 25 CARBURETOR PARTS (GAS-GASOLINE, MANUAL CHOKE) SPEC G ONLY

REF. NO.	PART NO.	QTY. USED	PART DESCRIPTION
	143-0338	1	Carburetor, Gas-Gasoline Manual Choke (Includes Mounting Gasket)
	143-0332	1	Kit, Carburetor Repair (Includes Parts Marked **)
	143-0201	1	**Kit, Carburetor Gasket (Includes Parts Marked *)
	141-0281	1	*Gasket, Carburetor Flange
1	143-0202	1	Valve, Throttle
3	143-0220	1	Valve, Choke - Manual Choke
4	143-0330	1	**Needle, Idle Jet and High Speed Adjusting
5	143-0329	1	**Nozzle
6	143-0221	1	Shaft and Lever, Choke - Manual Choke
7	143-0208	1	Screw and Gasket, Bowl
8	143-0015	1	*Gasket, Fuel Inlet Valve
9	143-0209	1	*Gasket, Bowl Screw
10	143-0105	1	Float and Lever
11	143-0210	1	Bowl
12	143-0077	1	*Gasket, Bowl Ring
13	141-0703	1	**Pin, Float Lever
14	143-0341	1	**Valve, Fuel Inlet
15	143-0213	2	Screw, Idle Adjusting
16	812-0014	4	**Screw (#3-48 x 3/16") - choke and Throttle Valve
17	143-0110	1	Plug, Expansion
18	143-0214	1	Spring, Throttle Adjusting Screw
19	143-0112	2	Spring, Idle Adjusting Screw
24	145-0308	1	Tube, Gas Inlet - Gas-Gasoline Only
27	854-0003	4	**Washer, Lock (It #3)

\* - Parts Included in 143-0201 Carburetor Gasket Kit.  
 \*\* - Parts Included in 143-0332 Carburetor Repair Kit.



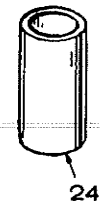
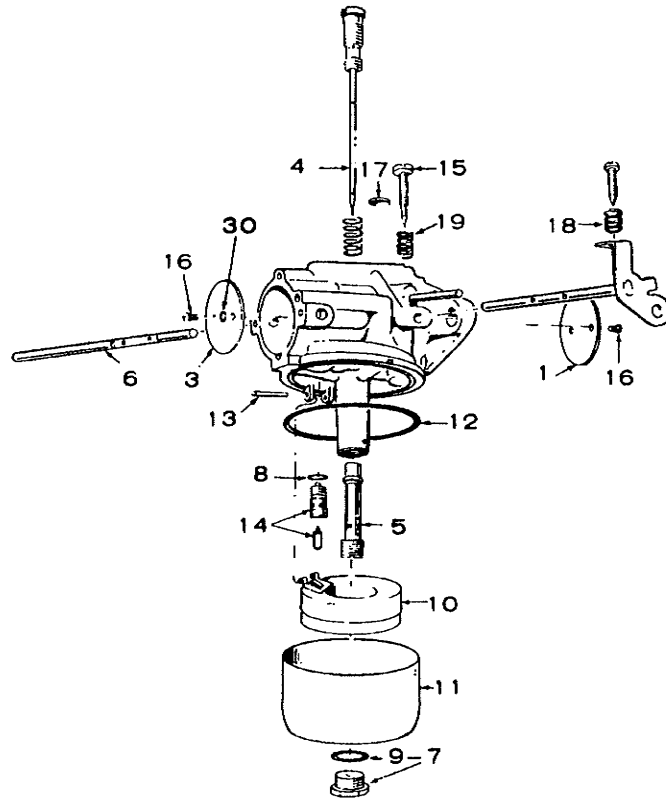
FS-1189

24

## OPTION 26 CARBURETOR PARTS (GAS-GASOLINE, ELECTRIC CHOKE) SPEC G ONLY

REF. NO.	PART NO.	QTY. USED	PART DESCRIPTION
	143-0339	1	Carburetor, Gas-Gasoline Electric Choke (Includes Mounting Gasket)
	143-0332	1	Kit, Carburetor Repair (Includes Parts Marked **)
	143-0201	1	**Kit, Carburetor Gasket (Includes Parts Marked *)
	141-0281	1	*Gasket, Carburetor Flange
1	143-0202	1	Valve, Throttle
3	143-0204	1	Valve, Choke - Electric Choke
4	143-0330	1	**Needle, Idle Jet and High Speed Adjusting
5	143-0329	1	**Nozzle
6	143-0315	1	Shaft, Choke - Electric Choke
7	143-0208	1	Screw and Gasket, Bowl
8	143-0015	1	*Gasket, Fuel Inlet Valve
9	143-0209	1	*Gasket, Bowl Screw
10	143-0105	1	Float and Lever
11	143-0210	1	Bowl
12	143-0077	1	*Gasket, Bowl Ring
13	141-0703	1	**Pin, Float Lever
14	143-0341	1	**Valve, Fuel Inlet
15	143-0213	2	Screw, Idle Adjusting
16	812-0014	4	**Screw (#3-48 x 3/16") - choke and Throttle Valve
17	143-0110	1	Plug, Expansion
18	143-0214	1	Spring, Throttle Adjusting Screw
19	143-0112	2	Spring, Idle Adjusting Screw
24	145-0308	1	Tube, Gas Inlet
29	143-0342	1	Diaphragm - Electric Choke
30	854-0003	4	*Washer, Lock (It #3)

- \* - Parts Included in 143-0201 Carburetor Gasket Kit.
- \*\* - Parts Included in 143-0332 Carburetor Repair Kit.



FS-1190

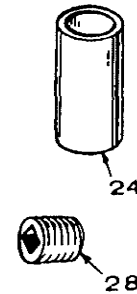
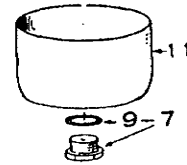
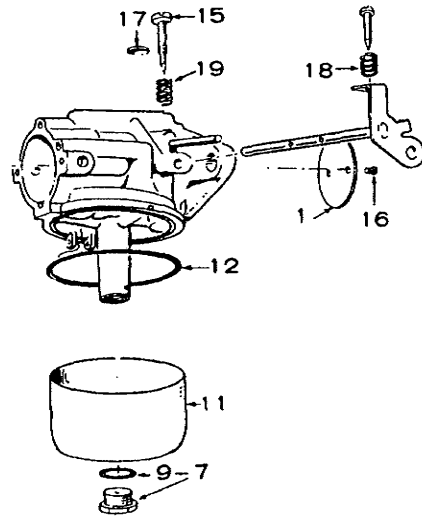
927-0404 (APRIL 1961)

**D6**

## OPTION 27 CARBURETOR PARTS (GAS) SPEC G ONLY

REF. NO.	PART NO.	QTY. USED	PART DESCRIPTION
	141-0840	1	Carburetor, Gas (Includes Mounting Gasket)
	143-0332	1	Kit, Carburetor Repair (Includes Parts Marked **)
	143-0201	1	**Kit, Carburetor Gasket (Includes Parts Marked *)
	141-0281	1	*Gasket, Carburetor Flange
1	143-0202	1	Valve, Throttle
7	143-0208	1	Screw and Gasket, Bowl
9	143-0209	1	*Gasket, Bowl Screw
11	143-0210	1	Bowl
12	143-0077	1	*Gasket, Bowl Ring
15	143-0213	1	Screw, Idle Adjusting
16	812-0014	4	**Screw (#3-48 x 3/16") - Choke and Throttle Valve
17	143-0110	1	Plug, Expansion
18	143-0214	1	Spring, Throttle Adjusting Screw
19	143-0112	1	Spring, Idle Adjusting Screw
24	145-0308	1	Tube, Gas Inlet
28	505-0008	1	Plug (1/8")

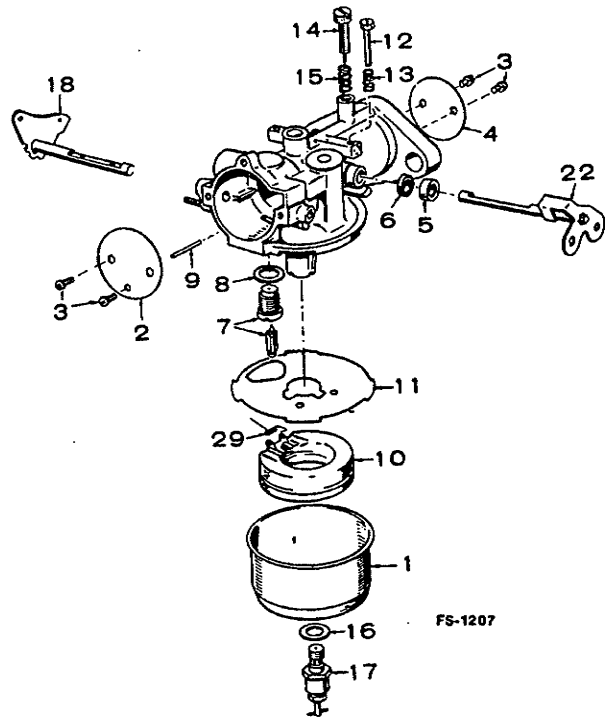
- \* - Parts Included in 143-0201 Carburetor Gasket Kit.
- \*\* - Parts Included in 143-0332 Carburetor Repair Kit.



FS-1191

## OPTION 28 CARBURETOR PARTS (GASOLINE, ELECTRIC CHOKE) BEGIN SPEC H

REF. NO.	PART NO.	QTY. USED	PART DESCRIPTION
	141-0879	1	Carburetor, Gasoline - Electric Choke (Includes Mounting Gasket)
	141-0797	1	Kit, Carburetor Repair (Includes Parts Marked *)
	141-0748	1	*Kit, Carburetor Gasket (Includes Parts Marked £)
	141-0281	1	£*Gasket, Carburetor Flange
1	141-0708	1	Bowl, Fuel
2	141-0741	1	Plate, Choke
3	141-0698	4	Screw & Washer, Choke and Throttle Plate Mounting
4	141-0706	1	Plate, Throttle
5	141-0705	1	*Retainer, Seal
6	141-0661	1	£*Seal, Rubber
7	141-0830	1	*Valve Seat Assembly, Fuel
8	141-0811	1	£Washer, Fuel Valve Seat
9	141-0703	1	*Shaft, Float
10	141-0702	1	Float Assembly
11	141-0701	1	£*Gasket, Bowl to Body
12	141-0700	1	Screw, Throttle Stop
13	141-0711	1	Spring, Throttle Stop
14	141-0713	1	Needle, Idle Adjusting
15	141-0710	1	Spring, Idle Needle
16	141-0077	1	£*Washer, Main Jet Assembly
17	141-0712	1	Jet Assembly, Main (Adjustable)
18	141-0679	1	Shaft, Choke
22	141-0709	1	Shaft and Lever Throttle
29	141-0799	1	*Spring, Float

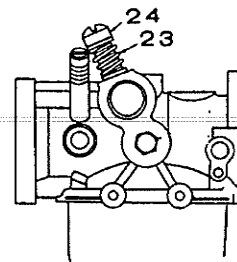
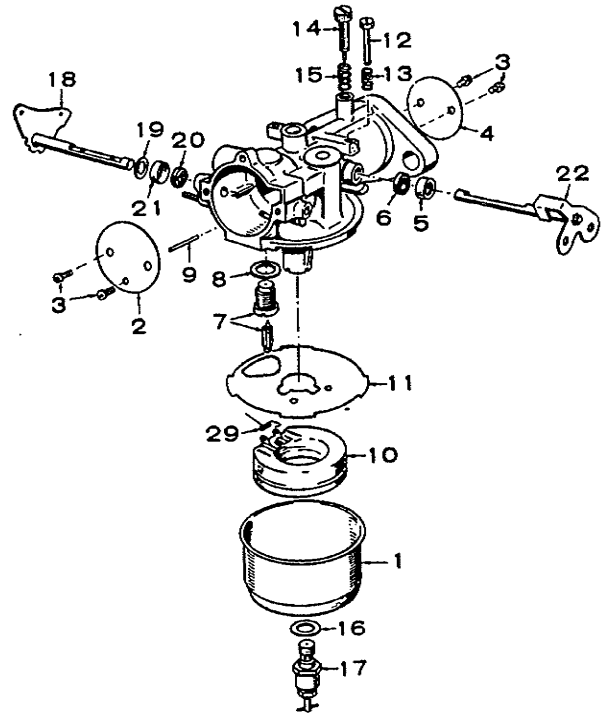


\* - Parts Included in 141-0797 Carburetor Repair Kit.  
£ - Parts Included in 141-0748 Carburetor Gasket Kit.

## OPTION 29 CARBURETOR PARTS (GAS-GASOLINE, MANUAL CHOKE) BEGIN SPEC H

REF. NO.	PART NO.	QTY. USED	PART DESCRIPTION
	141-0887	1	Carburetor, Gas-Gasoline Manual Choke (Includes Mounting Gasket)
	141-0747	1	Kit, Carburetor Repair (Includes Parts Marked *)
	141-0748	1	*Kit, Carburetor Gasket (Includes Parts Marked £)
	141-0281	1	£*Gasket, Carburetor Flange
1	141-0708	1	Bowl, Fuel
2	141-0741	1	Plate, Choke
3	141-0698	4	Screw & Washer, Choke and Throttle Plate Mounting
4	141-0706	1	Plate, Throttle
5	141-0705	1	*Retainer, Seal
6	141-0661	1	£*Seal, Rubber
7	141-0830	1	*Valve Seat Assembly, Fuel
8	141-0811	1	£Washer, Fuel Valve Seat
9	141-0703	1	*Shaft, Float
10	141-0702	1	Float Assembly
11	141-0701	1	£*Gasket, Bowl to Body
12	141-0700	1	Screw, Throttle Stop
13	141-0711	1	Spring, Throttle Stop
14	NEEDLE, IDLE ADJUSTING		
	141-0713	2	Gas-Gasoline Units
15	SPRING, IDLE NEEDLE		
	141-0710	2	Gas-Gasoline Units
16	141-0077	1	£*Washer, Main Jet Assembly
17	141-0712	1	Jet Assembly, Main (Adjustable)
18	SHAFT, CHOKE		
	141-0742	1	Manual Choke Units
19	141-0699	1	Washer
20	141-0697	1	£*Seal, Felt
21	141-0203	1	*Retainer, Felt Seal
22	141-0709	1	Shaft and Lever, Throttle
23	141-0733	1	Spring, Main Gas Needle
24	141-0734	1	Needle, Main Gas Adjusting
29	141-0799	1	*Spring, Float

\* - Parts Included in 141-0747 Carburetor Repair Kit.  
£ - Parts Included in 141-0748 Carburetor Gasket Kit.



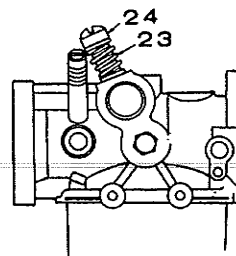
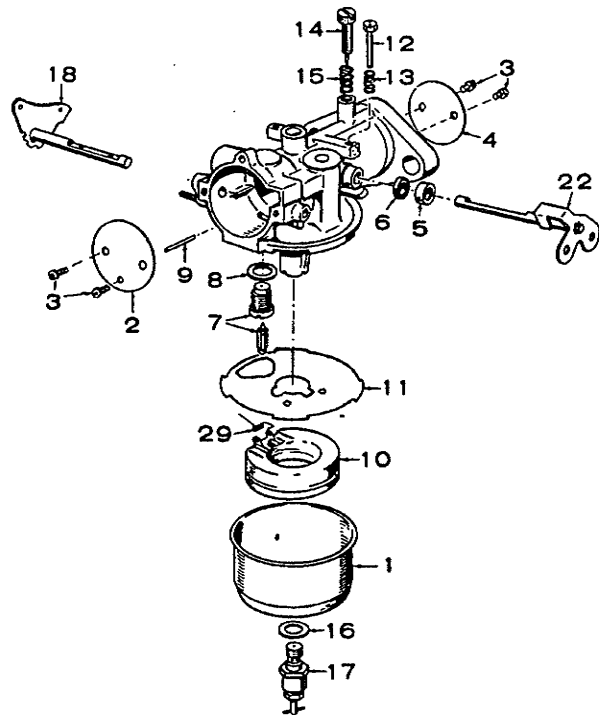
FS-1206



## OPTION 30 CARBURETOR PARTS (GAS-GASOLINE, ELECTRIC CHOKE) BEGIN SPEC H

REF. NO.	PART NO.	QTY. USED	PART DESCRIPTION
	141-0888	1	Carburetor, Gas-Gasoline Electric Choke (Includes Mounting Gasket)
	141-0747	1	Kit, Carburetor Repair (Includes Parts Marked *)
	141-0748	1	*Kit, Carburetor Gasket (Includes Parts Marked £)
	141-0281	1	£*Gasket, Carburetor Flange
1	141-0708	1	Bowl, Fuel
2	141-0741	1	Plate, Choke
3	141-0698	4	Screw & Washer, Choke and Throttle Plate Mounting
4	141-0706	1	Plate, Throttle
5	141-0705	1	*Retainer, Seal
6	141-0661	1	£*Seal, Rubber
7	141-0830	1	*Valve Seat Assembly, Fuel
8	141-0811	1	£Washer, Fuel Valve Seat
9	141-0703	1	*Shaft, Float
10	141-0702	1	Float Assembly
11	141-0701	1	£*Gasket, Bowl to Body
12	141-0700	1	Screw, Throttle Stop
13	141-0711	1	Spring, Throttle Stop
14	NEEDLE, IDLE ADJUSTING		
	141-0713	2	Gas-Gasoline Units
15	SPRING, IDLE NEEDLE		
	141-0710	2	Gas-Gasoline Units
16	141-0077	1	£*Washer, Main Jet Assembly
17	141-0712	1	Jet Assembly, Main (Adjustable)
18	SHAFT, CHOKE		
	141-0679	1	Electric Choke
22	141-0709	1	Shaft and Lever, Throttle
23	141-0733	1	Spring, Main Gas Needle Gas-Gasoline Units
24	141-0734	1	Needle, Main Gas Adjusting - Gas-Gasoline Units
29	141-0799	1	*Spring, Float

\* - Parts Included in 141-0747 Carburetor Repair Kit.  
£ - Parts Included in 141-0748 Carburetor Gasket Kit.

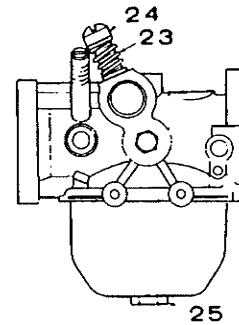
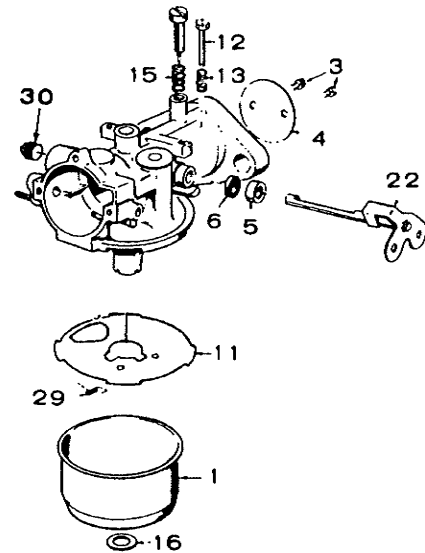


FS-1205

## OPTION 31 CARBURETOR PARTS (GAS) BEGIN SPEC H

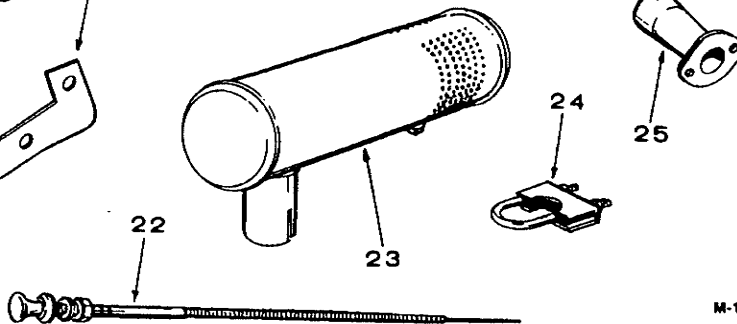
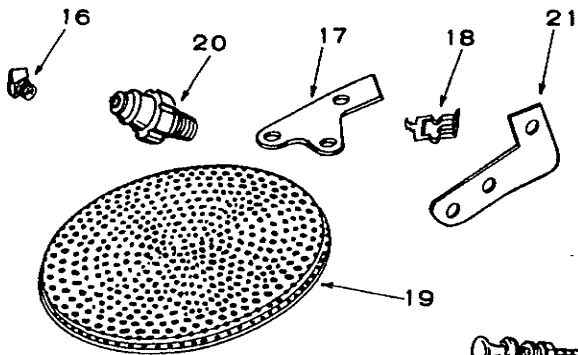
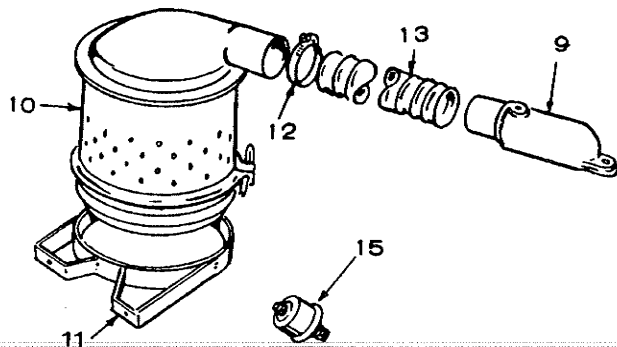
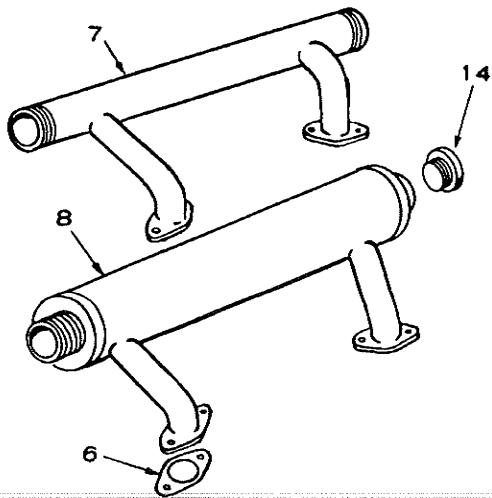
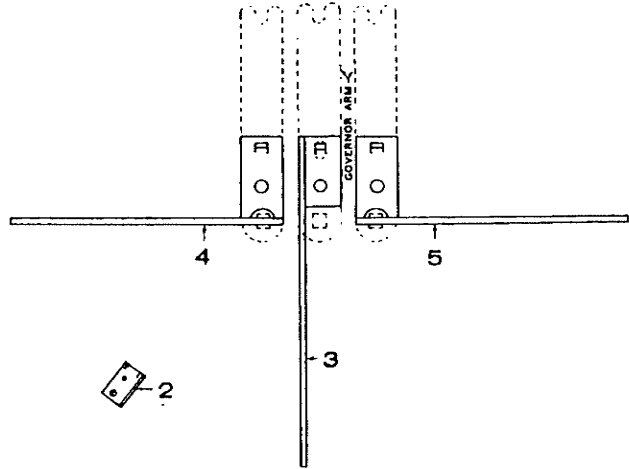
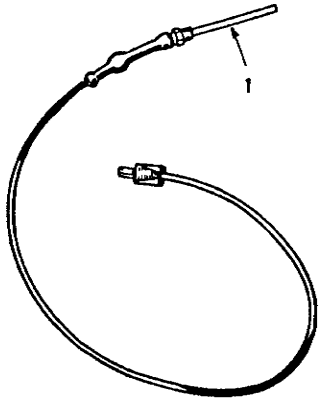
REF. NO.	PART NO.	QTY. USED	PART DESCRIPTION
	141-0892	1	Carburetor, Gas (Includes Mounting Gasket)
	141-0747	1	Kit, Carburetor Repair (Includes Parts Marked *)
	141-0748	1	*Kit, Carburetor Gasket (Includes Parts Marked £)
	141-0281	1	£*Gasket, Carburetor Flange
1	141-0708	1	Bowl, Fuel
3	141-0698	2	Screw & Washer, Choke and Throttle Plate Mounting
4	141-0706	1	Plate, Throttle
5	141-0705	1	*Retainer, Seal
6	141-0661	1	£*Seal, Rubber
11	141-0701	1	£*Gasket, Bowl to Body
12	141-0700	1	Screw, Throttle Stop
13	141-0711	1	Spring, Throttle Stop
14	NEEDLE, IDLE ADJUSTING		
		1	Gas Only Units (Not Available)
15	SPRING, IDLE NEEDLE		
	141-0710	1	Gas Only Units
16	141-0077	1	£*Washer, Main Jet Assembly
22	141-0709	1	Shaft and Lever, Throttle
23	141-0733	1	Spring, Main Gas Needle
24	141-0734	1	Needle, Main Gas Adjusting
25	141-0736	1	Nut, Bowl
29	141-0799	1	*Spring, Float
30	505-0008	1	Plug, Pipe (1/8")

\* - Parts Included in 141-0747 Carburetor Repair Kit.  
£ - Parts Included in 141-0748 Carburetor Gasket Kit.



FS-1192

# MISCELLANEOUS OPTIONAL PARTS



M-1194

927-0404 (APRIL 1981)

## D12

## MISCELLANEOUS OPTIONAL PARTS

REF. NO.	PART NO.	QTY. USED	PART DESCRIPTION	REF. NO.	PART NO.	QTY. USED	PART DESCRIPTION
1	102-0558	1	Heater, Oil Base	15	193-0108	1	Sender, Oil Pressure
	ARM, GOVERNOR PULL - CONSTANT SPEED			16	502-0053	1	Elbow, Street (45°)
	GOVERNOR			17	153-0327	1	Bracket, Choke
2	150-0635	1	Rear Pull	18	518-0176	1	Clip, Choke Bracket
3	150-0755	1	Front Pull	19	134-1889	1	Guard, Flywheel - Rotating
4	150-0790	1	Left Pull	20	309-0237	1	Pressure Switch - Low Oil (8-10 PSI)
5	150-0752	1	Right Pull	21	153-0464	1	Bracket, Choke Cable
6	154-0973	2	Gasket, Exhaust Manifold	22	153-0351	1	Cable, Choke Short
7	154-0998	1	Manifold, Exhaust	23	155-1660	2	Muffler (Ray Gun)
8	155-0906	1	Muffler, Exhaust	24	155-1239	2	Clamp, Muffler (1-5/8")
9	140-0645	1	Adapter, Air Cleaner	25	154-1757	2	Adapter Assembly, Manifold
10	140-0500	1	Cleaner, Air				
11	140-0519	1	Band, Air Cleaner				
12	503-0365	2	Clamp, Air Cleaner Hose				
13	503-0444	1	Hose, Air Cleaner (2" ID 10 x 30" lg)				
14	505-0618	1	Cap, Pipe (1-1/2")				